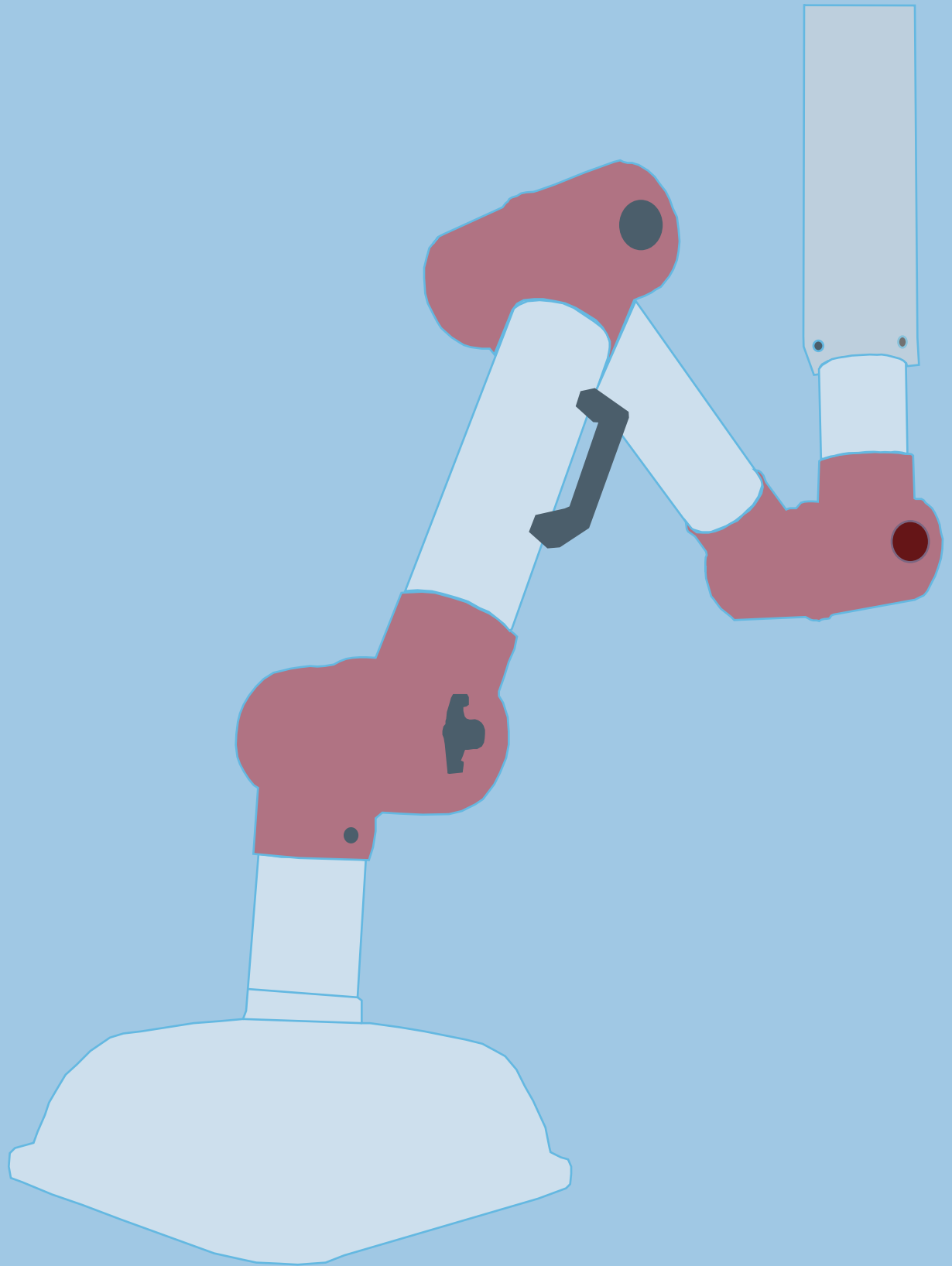


ENSHINE SCIENTIFIC CORPORATION

EXTRACTION ARM SYSTEM



Contents

Preface.....	1
Suspension Ceiling Mounting	2
Model : EAR-6R	
Suspension Wall Mounting	4
Model : EAR-6W	
6 Inch Simple Ceiling Mounting	6
Model : EAR-6	
6 Inch Simple Wall Mounting.....	8
Model : EAW-6	
Accessories List (System 150).....	10
TYPE descriptions & Order index (System 150).....	11
Ceiling Mounting Extraction Arm.....	12
Model : EAR-4R	
Wall Mounting Extraction Arm.....	14
Model : EAR-4W	
Mobile Wall Mounting Extraction Arm.....	16
Model : MEAR-4W	
Mobile Ceiling Mounting Extraction Arm.....	18
Model : MEAR-4R	
Aluminum Extraction Arm (System 100).....	20
Model : EAR-4-AL	
Accessories List (System 100).....	22
TYPE descriptions & Order index (System 100).....	23
Hood Bottom Cover.....	24
Accessories List & Order index (System 75).....	25
Ceiling Mounting Extraction Arm-System 75(Circular hood)....	26
Model : EAR-3RA	

Ceiling Mounting Extraction Arm-System 75 (Squarish hood).....	28
Model : EAR-3RB	
Wall Mounting Extraction Arm-System 75 (Circular hood).....	30
Model : EAR-3WA	
Wall Mounting Extraction Arm-System 75 (Squarish hood).....	32
Model : EAR-3WB	
Wall Mounting Extraction Arm-Aluminum (System 75).....	34
Model : EAR-3-AL	
Ceiling Mountin-System 50.....	36
Model : EAR-2R	
Wall Mounting-System 50.....	38
Model : EAR-2W/EAR-2WS	
Table Mounting-System 50.....	42
Model : EAR-2T/EAR-2TS	
Accessories List & Order index (System 50).....	45
Protective Sieve.....	46
Slot Hood.....	47
Simple Extraction Arm-System 50.....	48
Model : EAW-2/EAT-2	
Simple Extraction Arm-System 75.....	50
Model : EAW-3/EAT-3	
Bench Top Extraction Hood.....	52
FAN.....	54



Extraction Arms

— **Local Exhaust** system for a clearer working environment. Installation of fume extraction systems at the source of the pollution during the working processes prevent the spread of polluted air into the surroundings. The arms are connected to a vacuum fan and filter device removing the contaminants from the extracted air so that it can be exhausted to the atmosphere. A local extraction system is the best solution for a clean working environment.

— Easy operations

ENSHINE extraction arms are easy to remove and position. The extraction arm is easy to adjust for capturing the source of the pollution during the work processes. Additional, the extraction arms are quickly mounted with different brackets for wall, ceiling or table.

— Advantages

- Can be wall, bench or ceiling mounted, and connected with ENSHINE filtration systems.
- ENSHINE extraction arms are easy to adjust for workers wanting to capture fume or dust smoke at source.
- A wide range of accessories including brackets, hoods and filter gauzes, gives unlimited possibilities to match the needs at any workplaces and to help extraction work more efficient.
- Solid structure and easy to be folded out when not in use.

— Material Versions

ENSHINE extraction arms are available in two material versions, aluminum (AL) and chemical resistant plastic (CR). The choice of material version depends on work environment and type of pollution.

• Chemical Resistant (CR)

ENSHINE chemical resistant extraction arms are suitable for work areas with special requirements for chemical resistance. The CR extraction arm consists of PVC tubes and joints of red Polypropylene.

• Aluminum (AL)

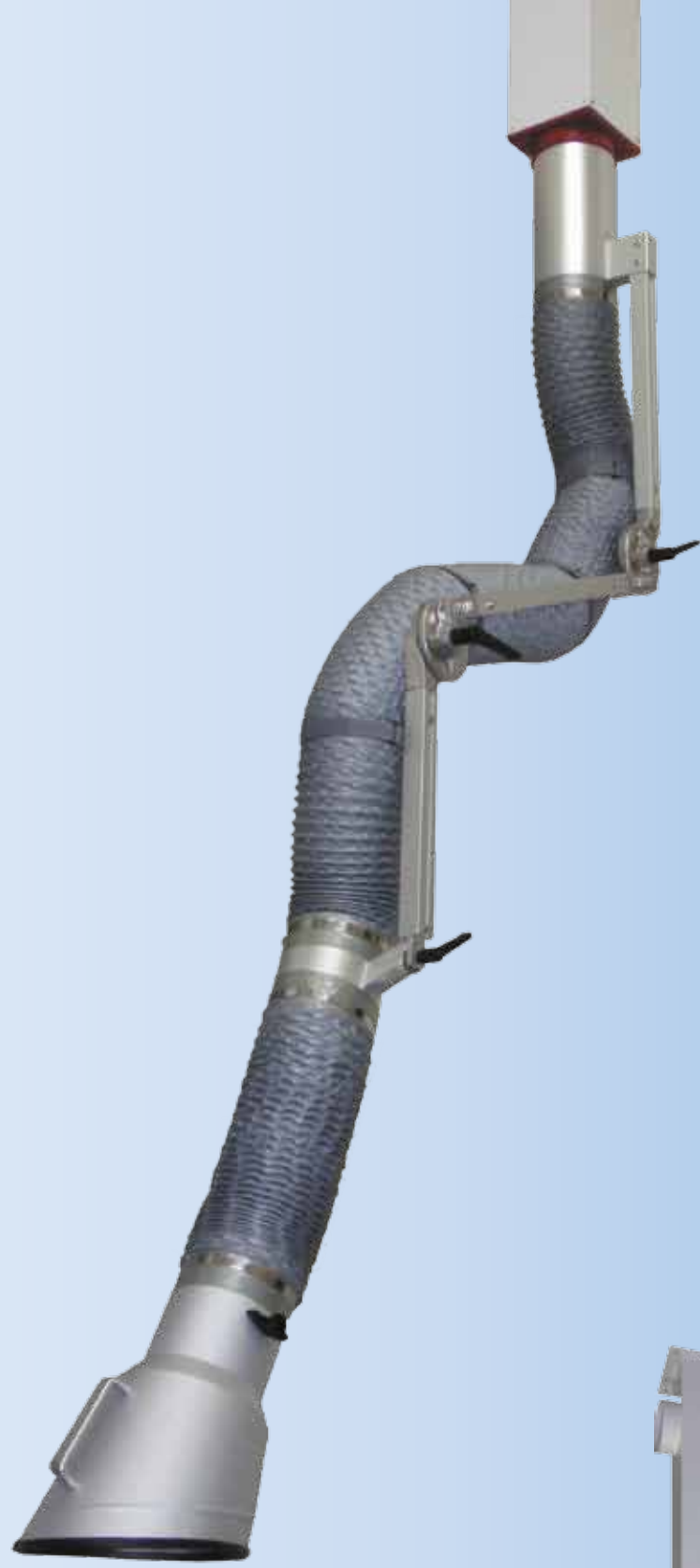
ENSHINE aluminum extraction arms are suitable for environments with no special demands for chemical resistance or insulation. The AL extraction arm consists of aluminum tubes and joints of red Polypropylene.

— Applications

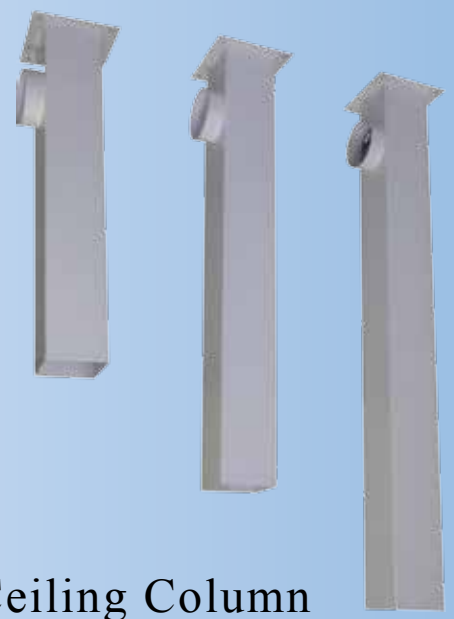
ENSHINE range of extraction arms covers a wide variety of applications as following.

- Laboratory
- Chemical industry
- Pharmaceutical industry
- Food industry
- Vocational school
- University
- Laser techniques
- Eliminate smoke, gas, dust, and particles

Suspension Ceiling Mounting (6 Inch)



patent number
554834



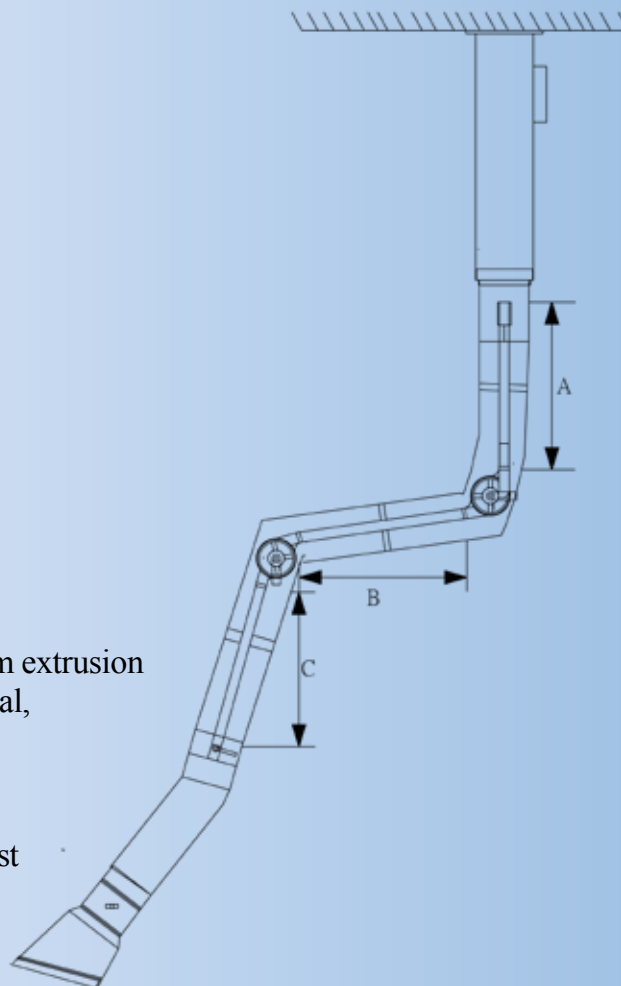
Ceiling Column

Suspension Ceiling Mounting (6 Inch)

Model : EAR-6R

A : 3-joint-extraction arm

- External arm supporting structure material : Aluminum extrusion
- External arm adjustable joint : Aluminum alloy material, integrated molding, with friction pads inside and assembles with handle to facilitate the adjustment and fixation of the extraction arm.
- Hose reducer : Aluminum alloy material, easy to adjust the direction and the angle of the arm.
- Flexible hose : Ø 150mm, nylon material, internal with special adjusting joints, which can adjust the position of extraction hood freely.
- Base adapter material : Red fireproof plastic material.
- Base connection tube : Aluminum alloy material, for fixing the arm supporting construction.



B : Sloping dome extraction hood

- Dimension : Ø 150/Ø 265 x 420(L)mm
- Hood material : Aluminum alloy
- Damper switch : There is an air flap made of aluminum alloy inside the extraction hood, and a knob outside to control the air flow.
- Hood cover bar : TPV rubber material to achieve the effect of embellishing and sealing the edge.

C : Ceiling Column

- Dimension : 175Wx 175Dx 750Hmm
175Wx 175Dx 1000Hmm
175Wx 175Dx 1250Hmm
- Material : Iron plate with white power coated

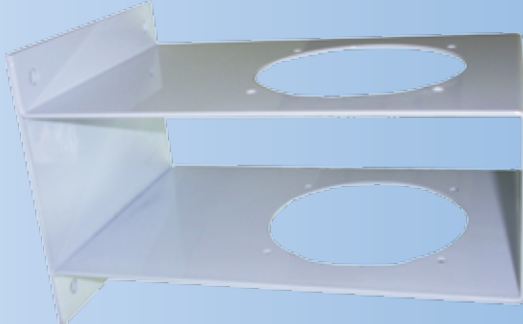
D : Features

There is a positioning joint between the first and the second sections of the external supporting arm structure. When the extraction arm is pulled down, it can be positioned to prevent the extraction arm from falling down. There is a movable joint between the second and the third sections of the external supporting arm structure, it can adjust and fix the angle of the extraction arm appropriately. The hose reducer and the flexible hose also have the function of adjustment, guarantee convenient placement of the extraction arm hood close the source of pollution and to capture different gases dust avoiding their expansion in the room. This unit can be easily retracted and positioned after not in use, so as to facilitate the cleaning of the workplace. Additional, the base of the extraction hose can be 360° rotation and the extraction hood has a damper device to control the air flow by switching the knob.

Suspension Wall Mounting (6 Inch)



patent number
554834



Wall bracket

Suspension Wall Mounting (6Inch)

Model : EAR-6W

A : 3-joint-extraction arm

- External arm supporting structure material : Aluminum extrusion
- External arm adjustable joint : Aluminum alloy material integrated molding, with friction pads inside, and assembles with handle to facilitate the adjustment and fixation of the extraction arm.
- Hose reducer : Aluminum alloy material, easy to adjust the direction and the angle of the arm.
- Flexible hose : Ø 150mm, nylon material, internal with special adjusting joints, which can adjust the position of extraction hood freely.
- Base adapter material : Red fireproof plastic material.
- Base connection tube : Aluminum alloy material, for fixing the arm supporting construction.

B : Sloping dome extraction hood

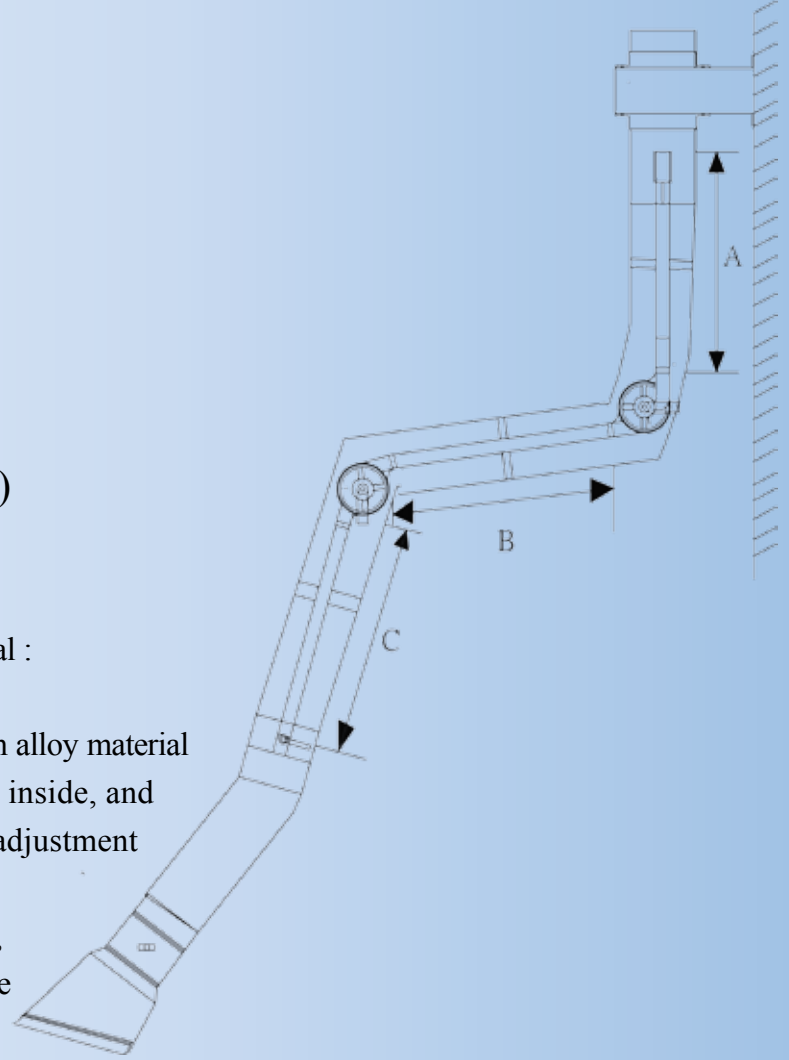
- Dimension : Ø 150/Ø 265 x 420(L)mm
- Hood material : Aluminum alloy
- Damper switch : There is an air flap made of aluminum alloy inside the extraction hood, and a knob outside to control the air flow.
- Hood cover bar : TPV rubber material to achieve the effect of embellishing and sealing the edge.

C : Wall bracket with reducer

- Dimension : 321Lx 230Wx 164Hmm
- Material : Iron plate with white power coated

D : Features

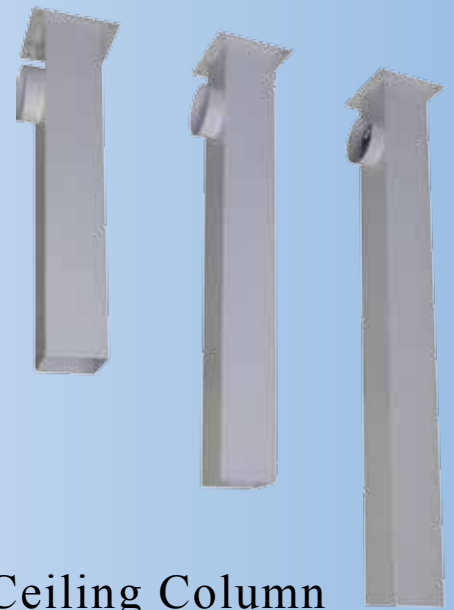
There is a positioning joint between the first and the second sections of the external supporting arm structure. When the extraction arm is pulled down, it can be positioned to prevent the extraction arm from falling down. There is a movable joint between the second and the third sections of the external supporting arm structure, it can adjust and fix the angle of the extraction arm appropriately. The hose reducer and the flexible hose also have the function of adjustment, guarantee convenient placement of the extraction arm hood close the source of pollution and to capture different gases dust avoiding their expansion in the room. This unit can be easily retracted and positioned after not in use, so as to facilitate the cleaning of the workplace. Additional, the base of the extraction hose can be 180° rotation and the extraction hood has a damper device to control the air flow by switching the knob.



Simple Ceiling Mounting (6 Inch)



patent number
554834



Ceiling Column

6 Inch Simple Ceiling Mounting Model: EAR-6

A : Flexible hose

- Ø 150mm, nylon material. Consists of two parts, one connects to the base connection tube; the other connects to the extraction hood. Internal with special adjusting joints, which can adjust the position of the extraction arm and extraction hood freely.
- Base adapter material : Red fireproof plastic material.
- Base connection tube : Aluminum alloy material, Ø 150mm.

B : Sloping dome extraction hood

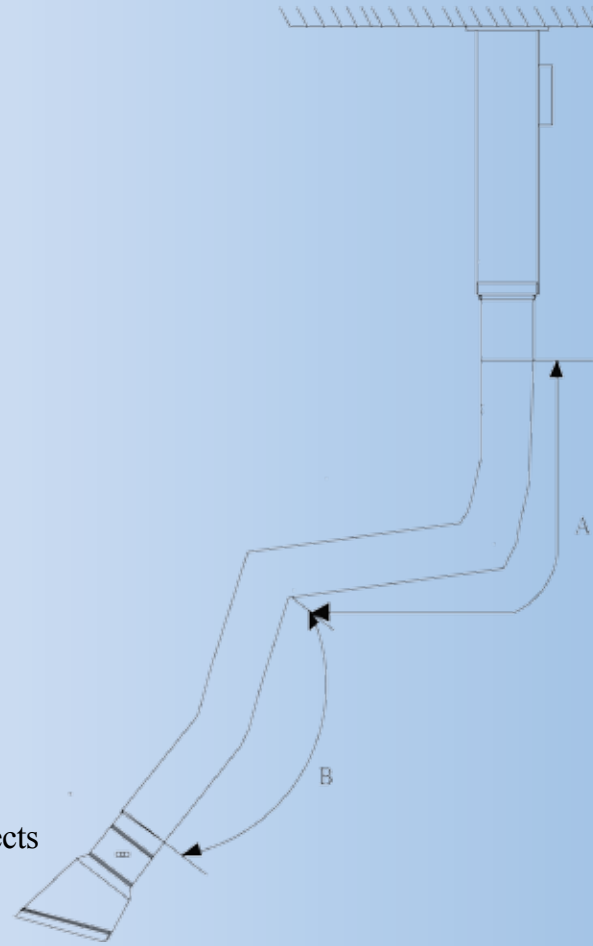
- Dimension : Ø150/Ø265 x 420(L)mm
- Hood material : Aluminum alloy
- Damper switch : There is an air flap made of aluminum alloy inside the extraction hood, and a knob outside to control the air flow.
- Hood cover bar : TPV rubber material to achieve the effect of embellishing and sealing the edge.

C : Ceiling Column

- Dimension : 175Wx 175Dx 750Hmm
175Wx 175Dx 1000Hmm
175Wx 175Dx 1250Hmm
- Material : Iron plate with white power coated

D : Features

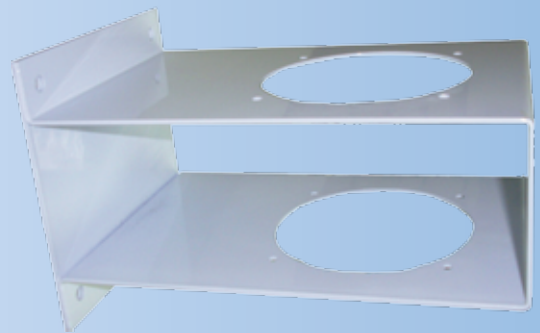
The flexible hose can be easily adjusted and bent; the extraction hood can be also moved to approach the source of pollution and to capture different gases dust avoiding their expansion in the room. This unit can be easily retracted and positioned after not in use, so as to facilitate the cleaning of the workplace. Additional, the base of the extraction hose can be 360° rotation and the extraction hood has a damper device to control the air flow by switching the knob.



6 Inch Simple Wall Mounting



patent number
554834



Wall bracket

6 Inch Simple Wall Mounting EAW-6

A : Flexible hose

- Ø 150mm, nylon material. Consists of two parts, one connects to the base connection tube; the other connects to the extraction hood. Internal with special adjusting joints, which can adjust the position of the extraction arm and extraction hood freely.
- Base adapter material : Red fireproof plastic material.
- Base connection tube : Aluminum alloy material, Ø 150mm.

B : Sloping dome extraction hood

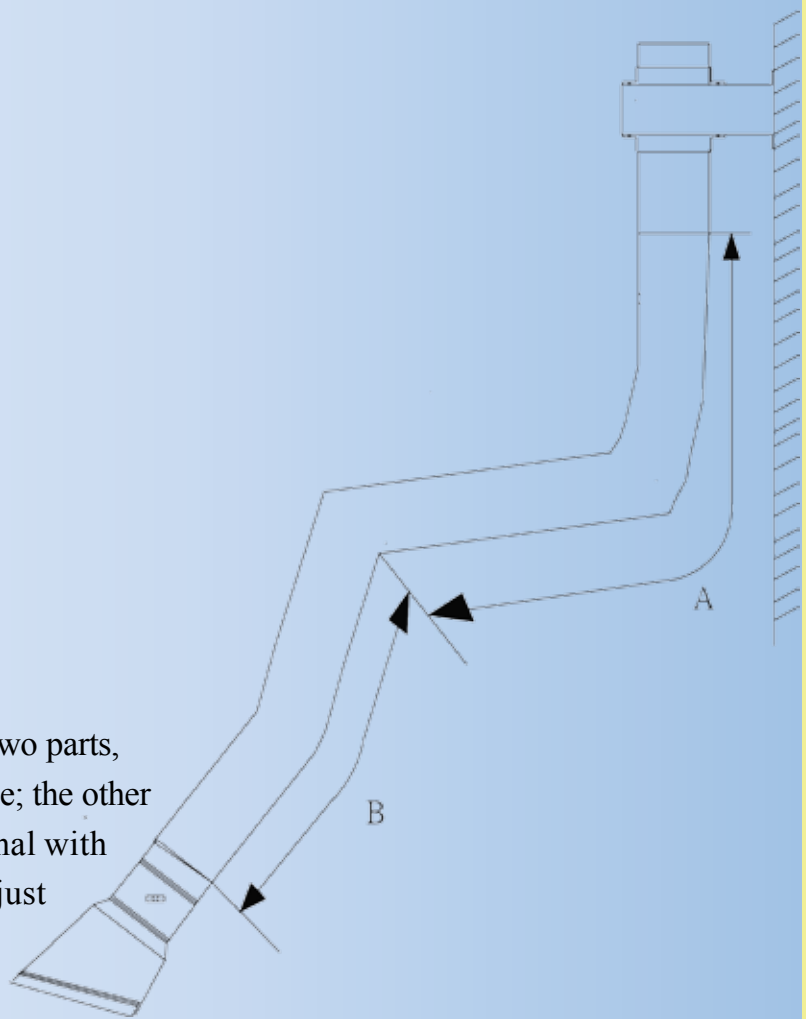
- Dimension : Ø150/Ø265 x 420(L)mm
- Hood material : Aluminum alloy
- Damper switch : There is an air flap made of aluminum alloy inside the extraction hood, and a knob outside to control the air flow.
- Hood cover bar : TPV rubber material to achieve the effect of embellishing and sealing the edge.

C : Wall bracket with reducer












- Dimension : 321Lx 230Wx 164Hmm
- Material : Iron plate with white power coated

D : Features

The flexible hose can be easily adjusted and bent; the extraction hood can be also moved to approach the source of pollution and to capture different gases dust avoiding their expansion in the room. This unit can be easily retracted and positioned after not in use, so as to facilitate the cleaning of the workplace. Additional, the base of the extraction hose can be 360° rotation and the extraction hood has a damper device to control the air flow by switching the knob.



Accessories List : EXTRACTION ARM SYSTEM 150

NO.	Item/Model	Specification(Unit: mm)		Pictures
1.	Ceiling Column EAR-6R1/R2/R3	R1	175(W)x175(D)x750(H)	
		R2	175(W)x175(D)x1000(H)	
		R3	175(W)x175(D)x1250(H)	
2.	Wall Bracket EAR-6W1	321(L)x230(W)x164(H)		
3.	Standard Hood EAR-601	ϕ 146/265x420(H)		
4.	Base Connection Tube (For suspension type) EAR-602	ϕ 150x400(H)		
5.	Base Connection Tube (For simple type) EAR-603	ϕ 150x200(H)		
6.	Arm Supporting Adjustable Joint Set(with baffle plate) EAR-604			
7.	Arm Supporting Adjustable Joint Set(without baffle plate) EAR-605			
8.	Arm Supporting Adjustable Joint Gasket EAR-600-1	ϕ 101x ϕ 41x4		
9.	Locating Gasket for Hose Reducer EAR-600-2	ϕ 35x ϕ 12		
10.	Moving Gasket for Hose connected with hood EAR-600-3	ϕ 24x ϕ 10		
11.	Filter Gauze for Extraction Hood EAR-600-4	ϕ 150x21(H)		

ENSHINE EXHAUST ARM SYSTEM 150

Model	Extensive Height(cm)	Effective Range(cm)	Arm's Length (A-B-C) (cm)
Suspension Extraction Arm			
Wall-mounted EAR-6W	220	300	50-50-33
		400	50-100-33
		500	50-150-33
Ceiling-mounted EAR-6R	220	300	50-50-33
		400	50-100-33
		500	50-150-33
Simple Extraction Arm			
Wall-mounted EAW-6	150	120	40-40
	210	160	60-60
	270	200	80-80
Ceiling-mounted EAR-6	150	120	40-40
	210	160	60-60
	270	200	80-80

Order Index :

※Suspension Type

EAR-6 W_② (50-50-33)
R_③ (50-100-33)
R_③ (50-200-33)
R_③ (50-200-33)_④

- ①: 6 inch tube size
- ②: Wall mounted type
- ③: Ceiling mounted type
- ④: Arm tube length

※Simple Type

EA W_①-6_③ (40-40)
R_② (60-60)
R_② (80-80)
R_② (80-80)_④

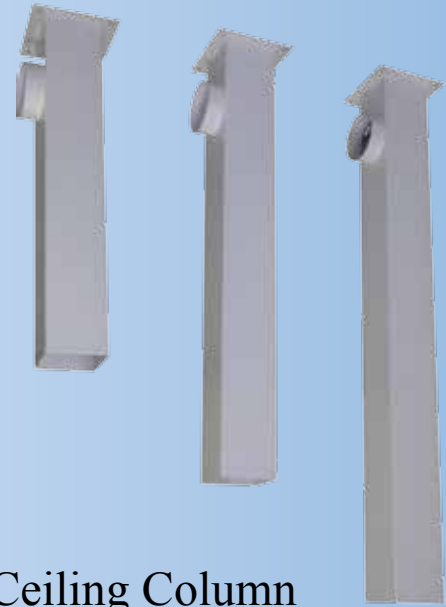
- ①: 6 inch tube size
- ②: Wall mounted type
- ③: Ceiling mounted type
- ④: Arm tube length

Example:

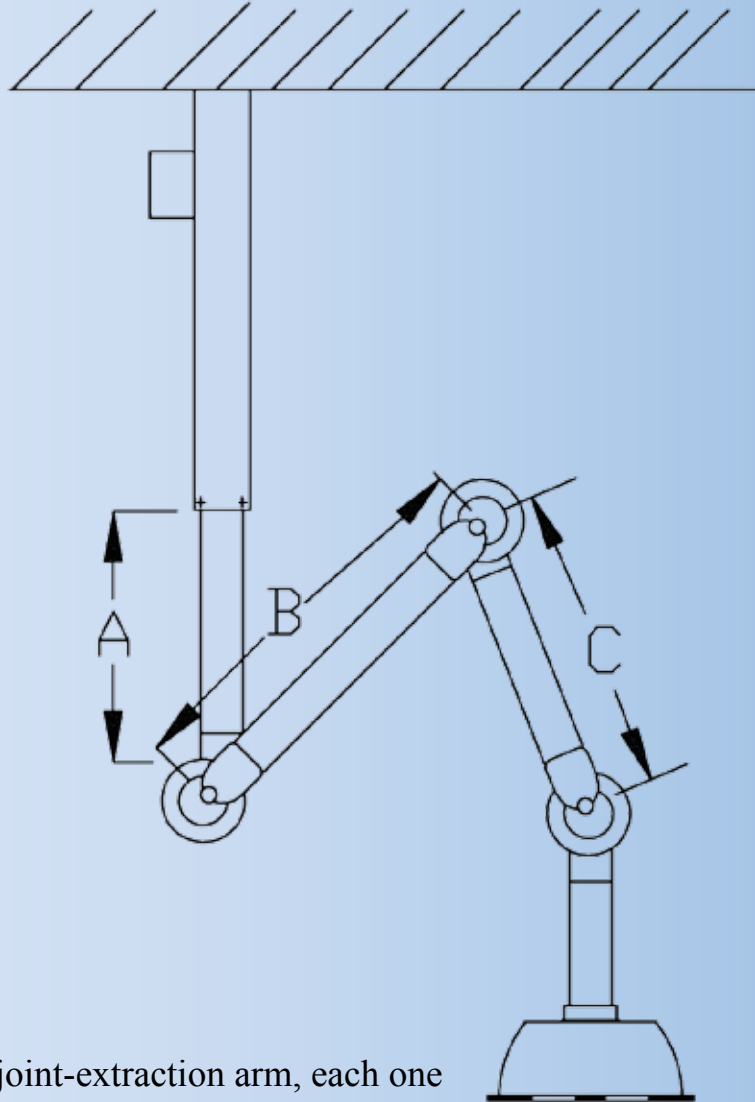
Simple wall mounted model and arm length is 40cm.

This model named : EAR-6(40-40)

Ceiling Mounting(4 Inch)



Ceiling Column



Ceiling Mounting(4 Inch)

Model : EAR-4R

A : 3-joint-extraction arm

- Pipe Diameter: 100mm
- Pipe material : PVC
- Reducer material : PP
- Feature :

There are three valves upon 3-joint-extraction arm, each one can easily adjusted the arm to the suitable position where harmful substances are present in dangerous concentrations.

Operation and maintenance of the arm is easy. It can be adjusted to a new position and dismantled for cleaning without the need of tools. Top of the pipe can be revolvable freely.

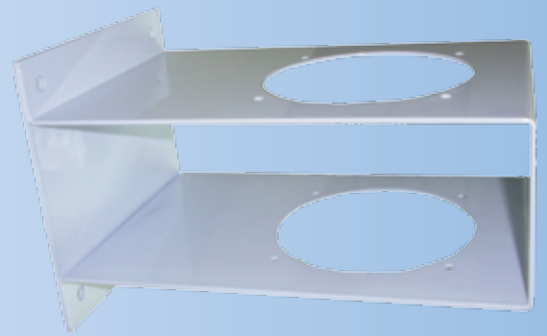
B : Square Hood

- Dimension : 390Wx390Dx130/160Hmm
- Hood material : Polypropylene(PP)
- Reducer material : PP
- Features : Easy to clean and chemically resistant well.

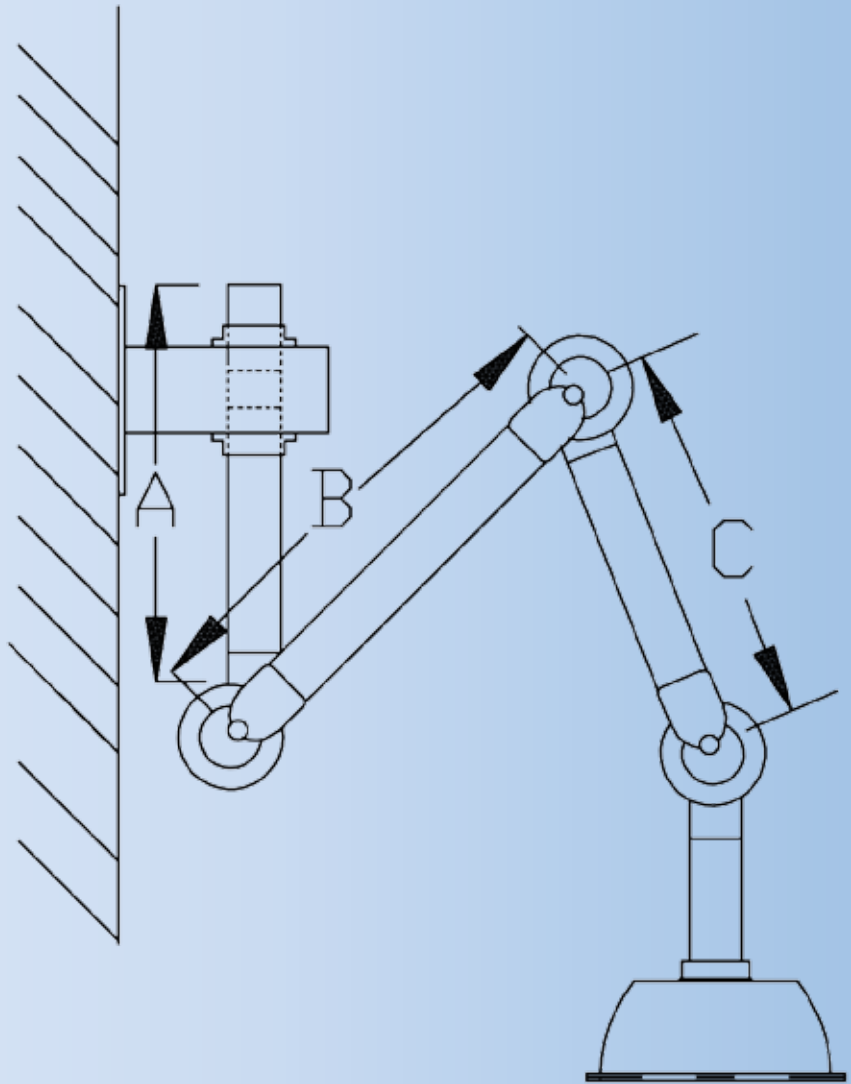
C : Ceiling Column

- Dimension : 125Wx125Dx750Hmm
125Wx125Dx1000Hmm
125Wx125Dx1250Hmm
- Material : Iron plate with white powder coated
- Features : Connection 3-joint-extraction arm and ceiling or other column closely. Easy to be disassembled. There is a coupling flange (ϕ 120mm) can be connected to other exhaust pipe or filter system.

Wall Mounting(4 Inch)



Wall bracket



Wall Mounting(4 Inch)

Model : EAR-4W

A : 3-joint-extraction arm

- Pipe Diameter: 100mm
- Pipe material : PVC
- Reducer material : PP
- Feature :

There are three valves upon 3-joint-extraction arm, each one can easily adjusted the arm to the suitable position where harmful substances are present in dangerous concentrations.

Operation and maintenance of the arm is easy. It can be adjusted to a new position and dismantled for cleaning without the need of tools. Top of the pipe can be revolvable freely.

B : Square Hood

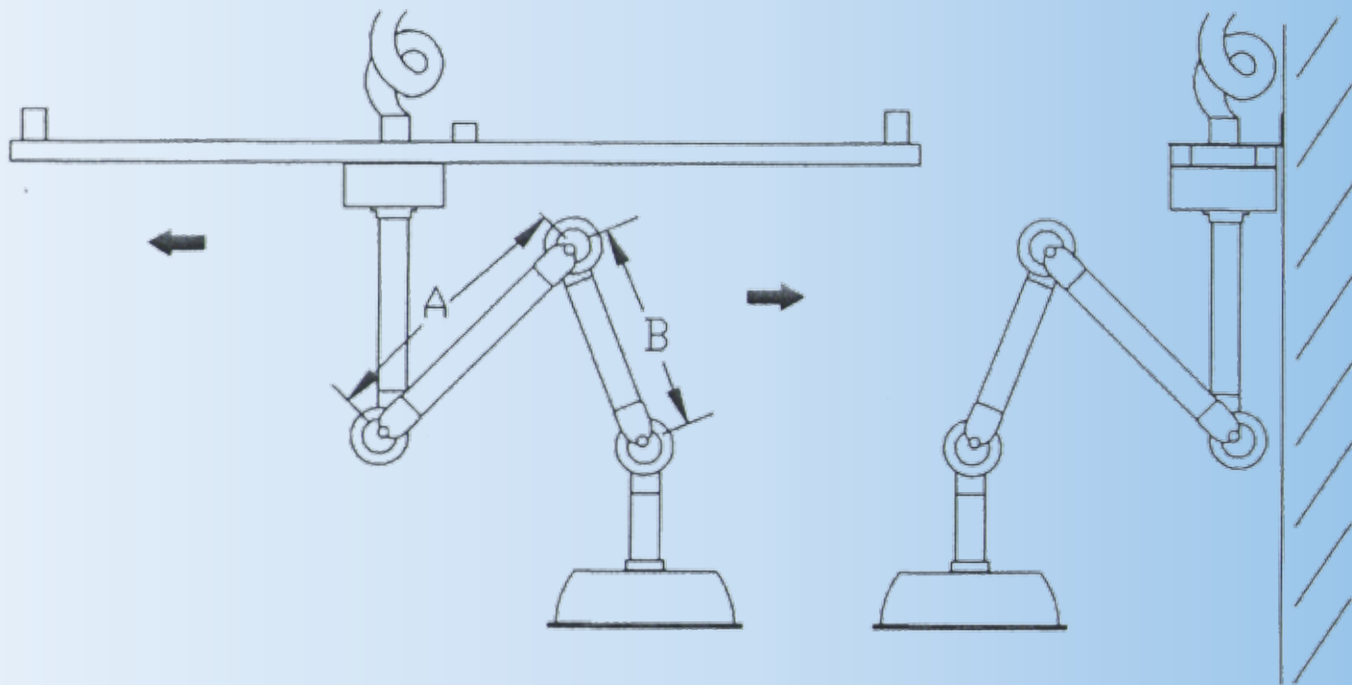
- Dimension : 390Wx390Dx130/160Hmm
- Hood material : Polypropylene(PP)
- Reducer material : PP
- Features : Easy to clean and chemically resistant well.

C : Wall bracket with reducer

- Dimension : 241Lx160Wx149Hmm
- Material : Iron plate with white powder coated



Mobile Rail System



Mobile Wall Mounting

Model : MEAR-4W

A : 3-joint-extraction arm

- Pipe Diameter: 100mm
- Pipe material : PVC
- Reducer material : PP
- Feature :

There are three valves upon 3-joint-extraction arm, each one can easily adjusted the arm to the suitable position where harmful substances are present in dangerous concentrations.

Operation and maintenance of the arm is easy. It can be adjusted to a new position and dismantled for cleaning without the need of tools. Top of the pipe can be revolvable freely.

B : Moving Installation

- Track : Aluminum material , 32Dx30Hx1500Lmm , x2
- Wheel : Nylon material , double wheels can move smoothly and steadily.
- Fixed plate : SUS304# material , 50Wx30Hmm
- Switch plate : SUS304# material , 180Wx35/80Hmm

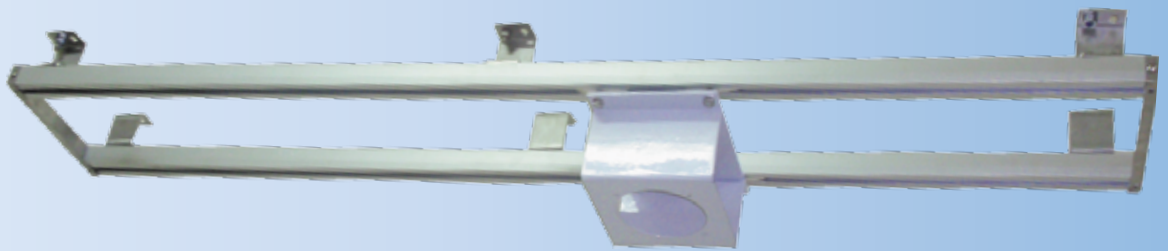
C : Square Hood

- Dimension : 390Wx390Dx130/160Hmm
- Hood material : Polypropylene(PP)
- Reducer material : PP
- Features : Easy to clean and chemically resistant well.

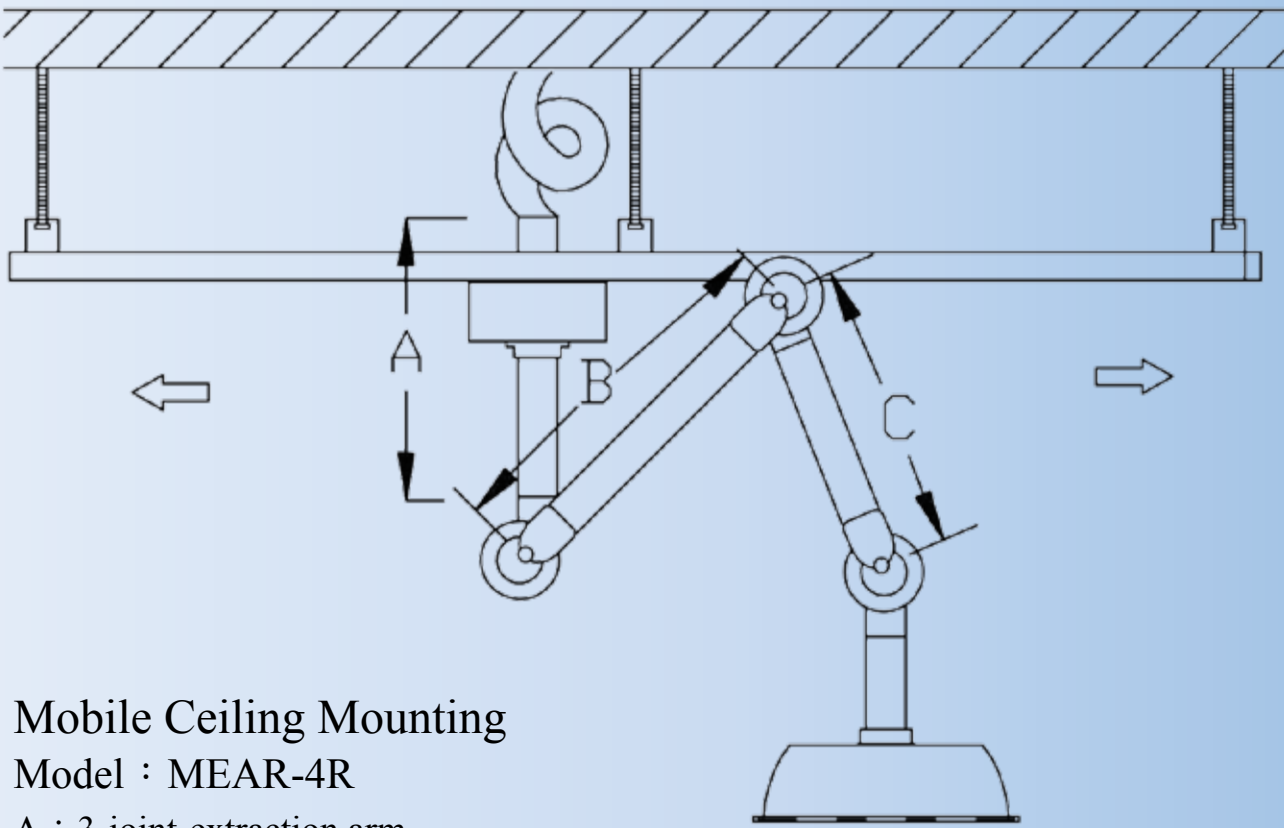
D : Bracket with reducer

- Dimension : 220Lx160Wx89Hmm
- Material : Iron plate with white powder coated

Mobile Ceiling Mounting(4 Inch)



Mobile Rail System



Mobile Ceiling Mounting

Model : MEAR-4R

A : 3-joint-extraction arm

- Pipe Diameter: 100mm
- Pipe material : PVC
- Reducer material : PP
- Feature :

There are three valves upon 3-joint-extraction arm, each one can easily adjusted the arm to the suitable position where harmful substances are present in dangerous concentrations.

Operation and maintenance of the arm is easy. It can be adjusted to a new position and dismantled for cleaning without the need of tools. Top of the pipe can be revolvable freely.

B : Moving Installation

- Track : Aluminum material , 32Dx30Hx1500Lmm , x2
- Wheel : Nylon material , double wheels can move smoothly and steadily.
- Track side plate : SUS304# material , 226Lx30Dx15Hmm
- Suspensory fixed plate : SUS304# material , 50Lx32Dx54Hmm

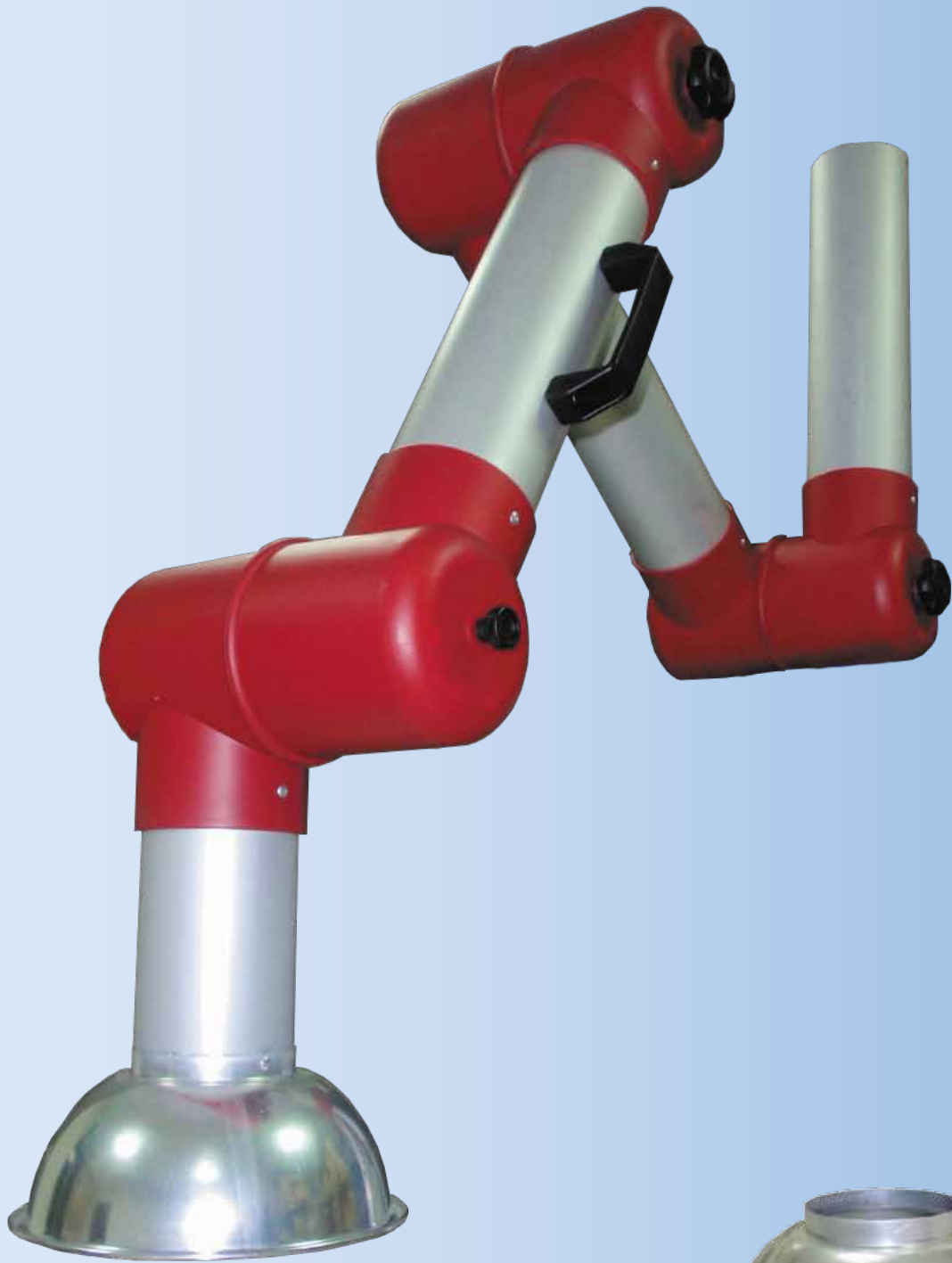
C : Square Hood

- Dimension : 390Wx390Dx130/160Hmm
- Hood material : Polypropylene(PP)
- Reducer material : PP
- Features : Easy to clean and chemically resistant well.

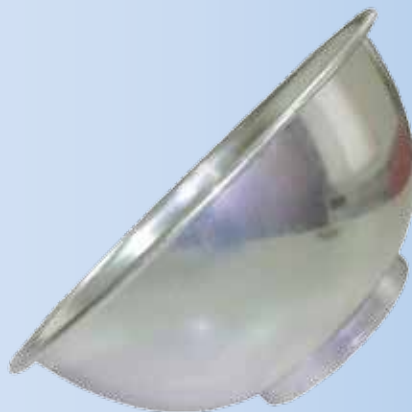
D : Bracket with reducer

- Dimension : 220Lx160Wx89Hmm
- Material : Iron plate with white powder coated

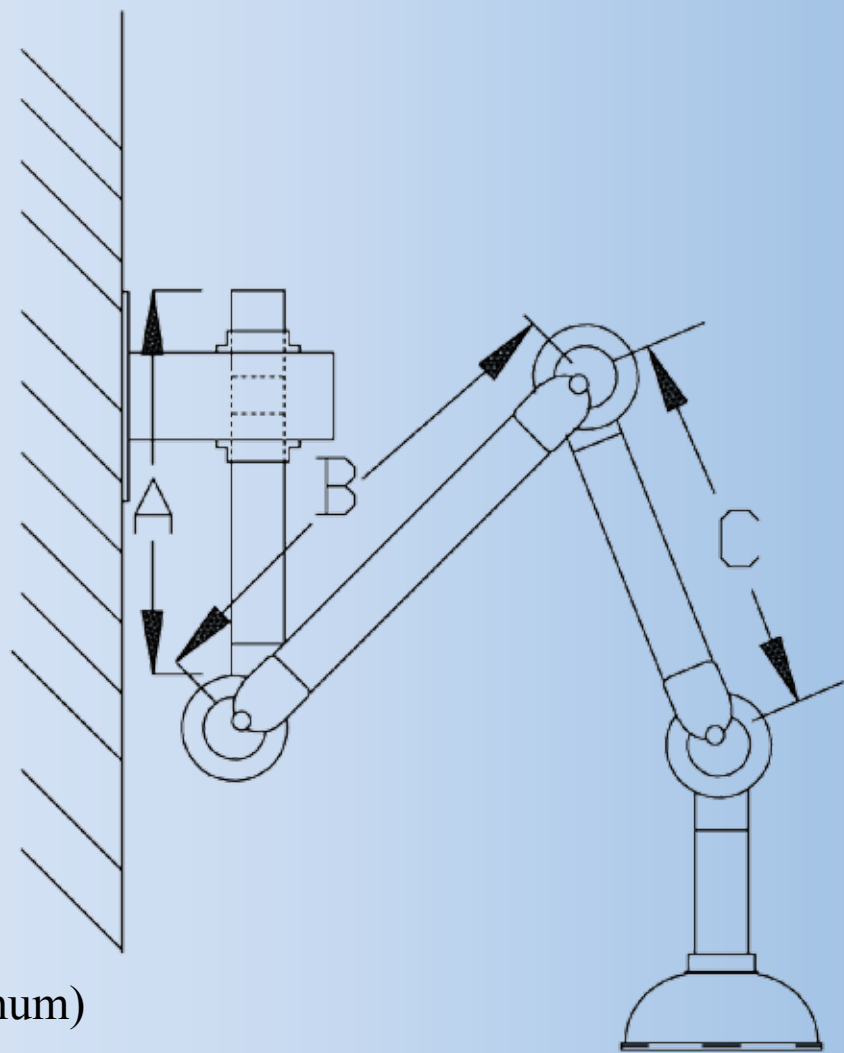
Aluminum Extraction Arm(4 Inch)



Hood : ϕ 220mm



Hood : ϕ 330mm



Wall Mounting(Aluminum)

Model : EAR-4W-AL

A : 3-joint-extraction arm

- Pipe Diameter: 100mm
- Pipe material : Aluminum
- Reducer material : PP
- Feature :

There are three valves upon 3-joint-extraction arm, each one can easily adjusted the arm to the suitable position where harmful substances are present in dangerous concentrations.


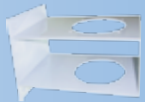









Operation and maintenance of the arm is easy. It can be adjusted to a new position and dismantled for cleaning without the need of tools. Top of the pipe can be revolvable freely.

B : Hood

- Dimension : ϕ 220mm / ϕ 330mm
- Hood material : Aluminum with special procession.
- Reducer material : PP
- Features : Easy to clean

C : Wall bracket with reducer

- Dimension : 241Lx160Wx149Hmm
- Material : Iron plate with white powder coated

Accessories List : EXTRACTION ARM SYSTEM 100				
NO.	Item/Model	Specification(Unit : mm)	Pictures	
1.	Ceiling Column EAR-4R1/R2/R3	R1	125(W)x125(D)x750(H)	
		R2	125(W)x125(D)x1000(H)	
		R3	125(W)x125(D)x1250(H)	
2.	Wall Bracket EAR-4W1	241(L)x160(W)x149(H)		
3.	Mobile Rail System (For Wall type) MEAR-4R1	1500(L)x226(D)x90(H)		
4.	Mobile Rail System (For Suspension type) MEAR-4W1	1500(L)x32/195(D)x149(H)		
5.	Standard Hood EAR-401	390(W)x390(D)x130/160(H)		
6.	Large Hood EAR-402	520(W)x520(D)x150/180(H)		
7.	Hood Bottom Cover EAR-403	530(W)x530(D)x450(H)		
8.	Aluminum Hood EAR-404	φ 220		
9.	Aluminum Hood EAR-405	φ 330		
10.	Protective Sieve EAR-406	φ 110/90x32(H)		
11.	Squarish Slot Hood(390) EAR-407	390(W)x390(D)x30(H)		

ENSHINE EXTRACTION ARM SYSTEM 100

Model	Effective Range(cm)	Arm's Length(cm)	Hood
Wall-mounted EAR-4W	150	40-40-40	PP Material A TYPE: 390(W)x390(D)x130/160(H)mm B TYPE: 520(W)x520(D)x150/180(H)mm Aluminum Material C TYPE: C1: ϕ 220mm C2: ϕ 330mm
	180	40-50-50	
	210	40-60-60	
Ceiling-mounted EAR-4R	150	40-40-40	
	180	40-50-50	
	210	40-60-60	
Movable wall-mounted MEAR-4W	150(n+1)	40-40-40	
	180+150n	40-50-50	
	210+150n	40-60-60	
Movable ceiling-mounted MEAR-4R	150(n+1)	40-40-40	
	180+150n	40-50-50	
	210+150n	40-60-60	

Order Index :

$\text{M}^{\text{①}}\text{EAR-4}^{\text{②}}\text{W}^{\text{③}}\text{B}^{\text{⑤}}-\text{AL}^{\text{⑦}}(40-40-40)$
 $\text{R}^{\text{④}}\text{C}^{\text{⑥}}(40-50-50)$
 $(40-60-60)^{\text{⑧}}$

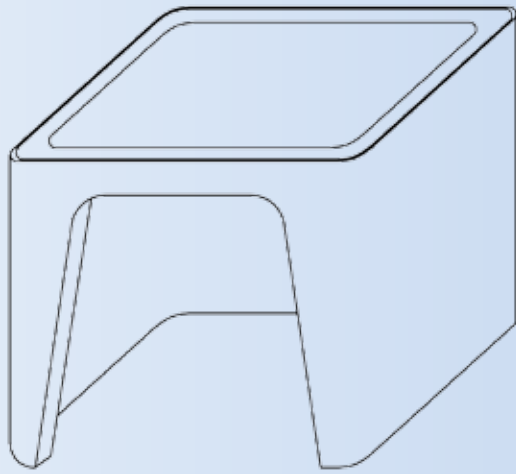
- ① : Mobile type
- ② : tube size
- ③ : Wall mounting type
- ④ : Ceiling mounting type
- ⑤ : Hood type B
- ⑥ : Hood type C(Aluminum)
- ⑦ : Aluminum tube
- ⑧ : Arm tube length

Example :

Wall mounting model with B type hood
and arm length is 60cm

This model named : EAR-4WB(40-60-60)

Model : EAR-403



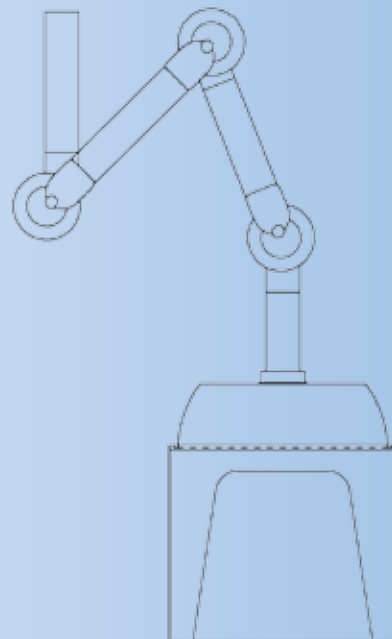
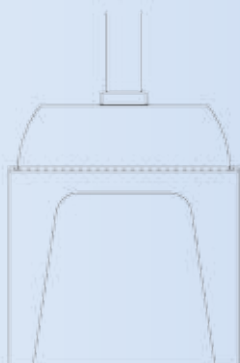
Specifications :

- 1.Hood material : White ABS nonflammable material, meet CNS7516 nonflammability 1aw.
- 2.Hood dimensions : 530(W)x530(D)x450(H) mm
- 3.Operation size : 420/300(W)x400(H)mm
- 4.Operations : (1) It is easy compined with hood (EAR-402) as a simple closed hood.
(2) It is applicable for system 100 to improve exhause efficiency.
- 5.Features : (1) It is used to provide a simple closed hood for system 100. With this bottom cover, it is easy to remove the dust and improve the exhaust efficiency.
(2) The cover and hood is seperated. It is easy to preserve the equipments.










Manual :

TYPE I : As a simple Hood
— Combined with hood (EAR-402)

TYPE II : Combined with hood (EAR-402)
For extraction arm system 100



Accessories List : EXTRACTION ARM SYSTEM 75

No.	Item/Model	Specification(Unit : mm)		Picture
1.	Ceiling Column EAR-3R1/R2/R3	R1	100(W)x100(D)x750(H)	
		R2	100(W)x100(D)x1000(H)	
		R3	100(W)x100(D)x1250(H)	
2.	Wall Bracket EAR-3W1	216(L)x135(W)x134(H)		
3.	Hood (Circular) EAR-301	ϕ 390x130/160(H)		
4.	Hood(Squarish) EAR-302	390(W)x390(D)x130/160(H)		
5.	Aluminum Hood EAR-303	ϕ 220		
6.	Aluminum Hood EAR-304	ϕ 330		
7.	Protective Sieve EAR-305	ϕ 85/65x22(H)		
8.	Circular Slot Hood(390) EAR-306	ϕ 390x20(H)		
9.	Squarish Slot Hood(390) EAR-307	390(W)x390(D)x30(H)		

ENSHINE EXTRACTION ARM SYSTEM 75

Model	Effective Range(cm)	Arm's Length(cm)	Hood
Wall-mounted EAR-3W	150	40-50-50	PP Material A TYPE: ϕ 390x130/160(H) mm B TYPE: 390(W)x390(D)x130/160(H) mm
	180	40-60-60	
Ceiling-mounted EAR-3R	150	40-50-50	Aluminum Material C TYPE: C1 : ϕ 220mm C2 : ϕ 330mm
	180	40-60-60	

Order Index :

EAR-3^①W^②A^④ (40-50-50)
 EAR-3^①R^③B^⑤-AL^⑦(40-60-60)^⑧
 C^⑥

Example :

Wall mounting model with B type hood and arm length is 60cm

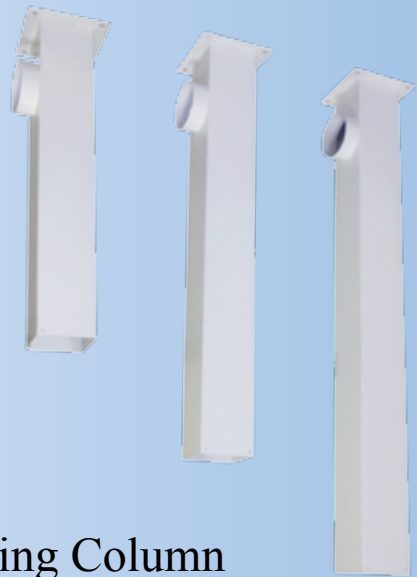
This model named :

EAR-3WB(40-60-60)

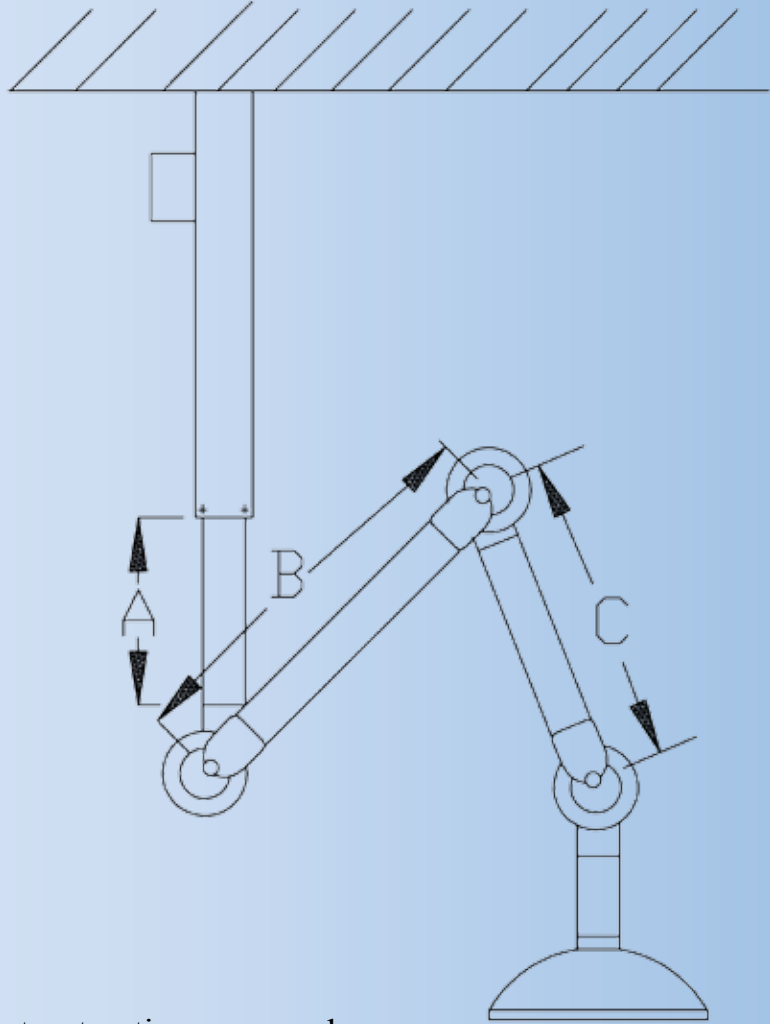
- ①: 3 inch tube size
- ②: Wall mounting type
- ③: Ceiling mounting type
- ④: A type hood

- ⑤: B type hood
- ⑥: C type hood
- ⑦: Aluminum tube system
- ⑧: Arm tube length

Ceiling Mounting(3 Inch)



Ceiling Column



Ceiling Mounting(3 Inch)

Model : EAR-3RA

A : 3-joint-extraction arm

- Pipe Diameter: 75mm
- Pipe material : PVC
- Reducer material : PP
- Feature :

There are three valves upon 3-joint-extraction arm, each one can easily adjusted the arm to the suitable position where harmful substances are present in dangerous concentrations.

Operation and maintenance of the arm is easy. It can be adjusted to a new position and dismantled for cleaning without the need of tools. Top of the pipe can be revolvable freely.

B : Hood

- Dimension : 390mm dia.
- Hood material : Polypropylene(PP)
- Reducer material : PP
- Features : Easy to clean and chemically resistant well.

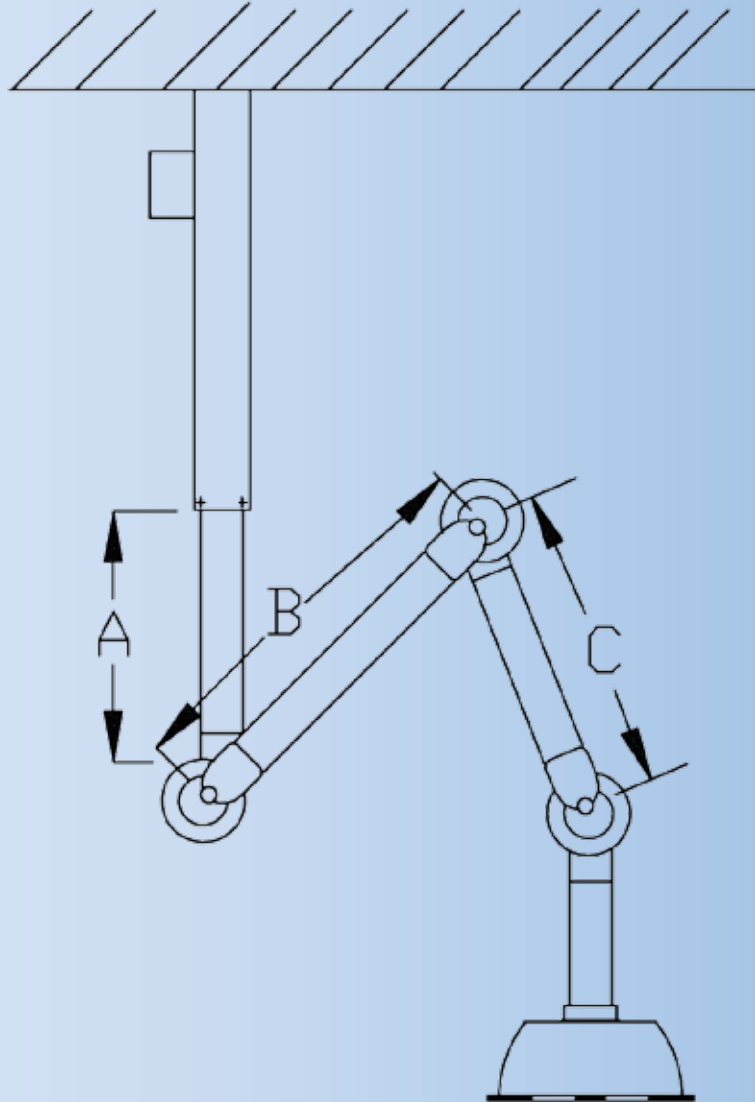
C : Ceiling Column

- Dimension : 100Wx100Dx750Hmm
100Wx100Dx1000Hmm
100Wx100Dx1250Hmm
- Material : Iron plate with white powder coated
- Features : Connection 3-joint-extraction arm and ceiling or other column closely. Easy to be disassembled. There is a coupling flange (ϕ 95mm) can be connected to other exhaust pipe or filter system.

Ceiling Mounting(3 Inch)-Squarish



Ceiling Column



Ceiling Mounting(3 Inch)

Model : EAR-3RB

A : 3-joint-extraction arm

- Pipe Diameter: 75mm
- Pipe material : PVC
- Reducer material : PP
- Feature :

There are three valves upon 3-joint-extraction arm, each one can easily adjusted the arm to the suitable position where harmful substances are present in dangerous concentrations.

Operation and maintenance of the arm is easy. It can be adjusted to a new position and dismantled for cleaning without the need of tools. Top of the pipe can be revolvable freely.

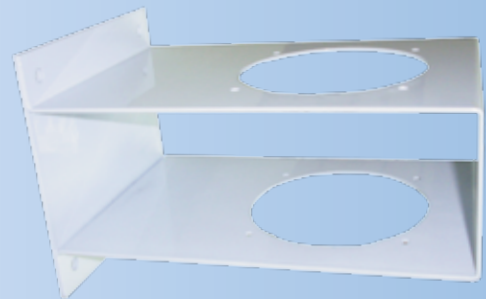
B : Hood

- Dimension : 390Wx390Dx130/160Hmm
- Hood material : Polypropylene(PP)
- Reducer material : PP
- Features : Easy to clean and chemically resistant well.

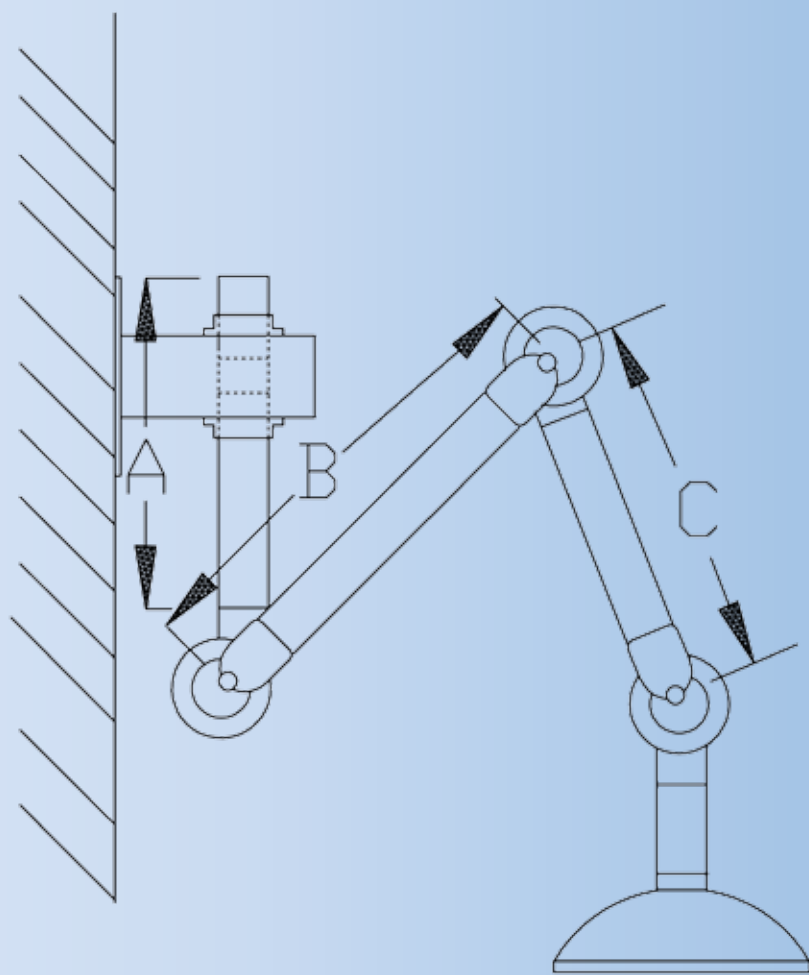
C : Ceiling Column

- Dimension : 100Wx100Dx750Hmm
100Wx100Dx1000Hmm
100Wx100Dx1250Hmm
- Material : Iron plate with white powder coated
- Features : Connection 3-joint-extraction arm and ceiling or other column closely. Easy to be disassembled. There is a coupling flange (ϕ 95mm) can be connected to other exhaust pipe or filter system.

Wall Mounting(3 Inch)-Circular



Wall Bracket



Wall Mounting(3 Inch)

Model : EAR-3WA

A : 3-joint-extraction arm

- Pipe Diameter: 75mm
- Pipe material : PVC
- Reducer material : PP
- Feature :

There are three valves upon 3-joint-extraction arm, each one can easily adjusted the arm to the suitable position where harmful substances are present in dangerous concentrations.

Operation and maintenance of the arm is easy. It can be adjusted to a new position and dismantled for cleaning without the need of tools. Top of the pipe can be revolvable freely.

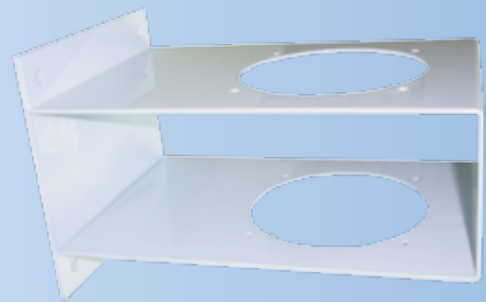
B : Hood

- Dimension : 390mm dia.
- Hood material : Polypropylene(PP)
- Reducer material : PP
- Features : Easy to clean and chemically resistant well.

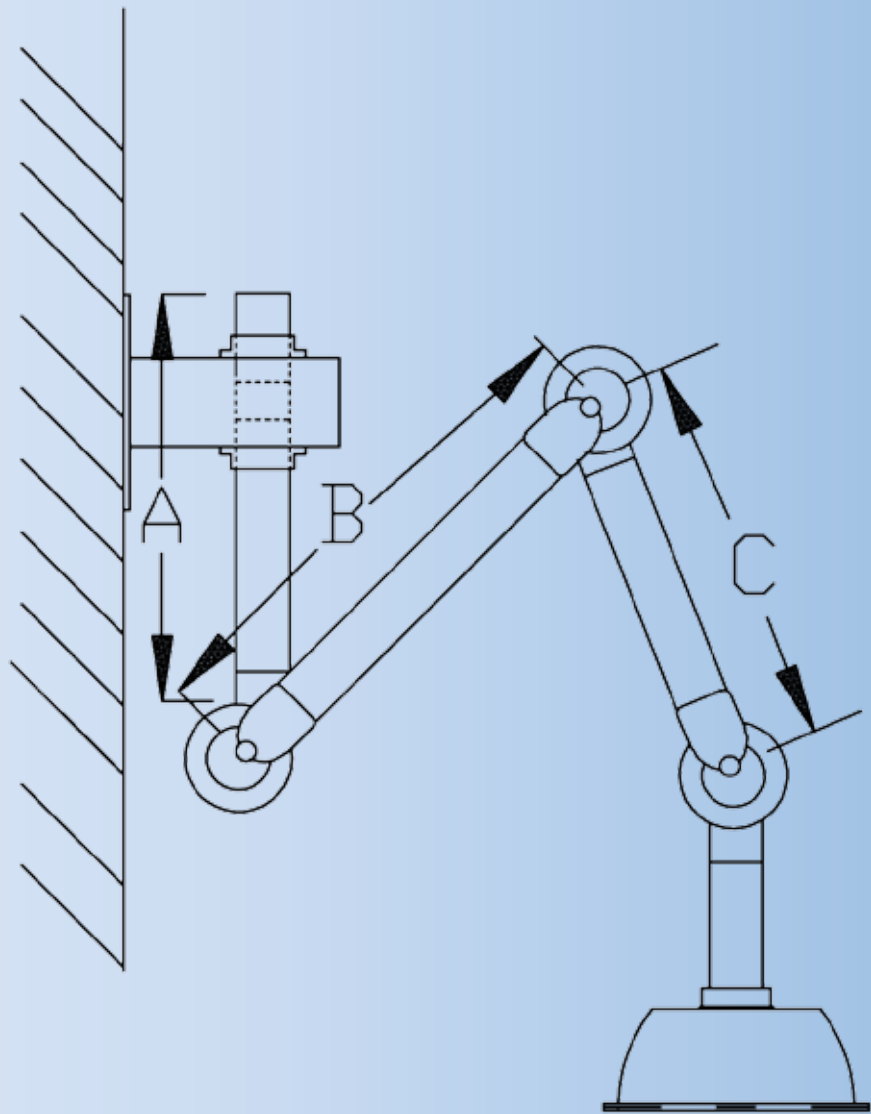
C : Wall bracket with reducer

- Dimension : 216Lx135Wx134Hmm
- Material : Iron plate with white powder coated

Wall Mounting(3 Inch)-Squarish



Wall Bracket



Wall Mounting(3 Inch)

Model : EAR-3WB

A : 3-joint-extraction arm

- Pipe Diameter: 75mm
- Pipe material : PVC
- Reducer material : PP
- Feature :

There are three valves upon 3-joint-extraction arm, each one can easily adjusted the arm to the suitable position where harmful substances are present in dangerous concentrations.

Operation and maintenance of the arm is easy. It can be adjusted to a new position and dismantled for cleaning without the need of tools. Top of the pipe can be revolvable freely.

B : Hood

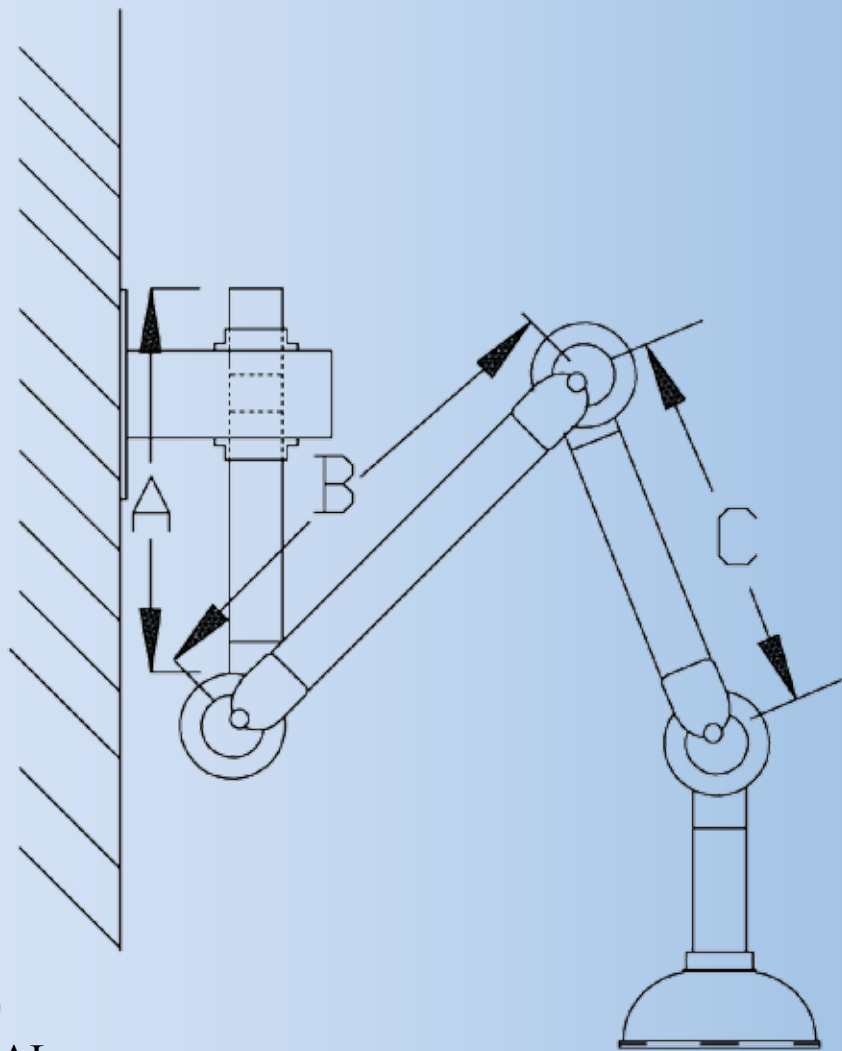
- Dimension : 390Wx390Dx130/160Hmm
- Hood material : Polypropylene(PP)
- Reducer material : PP
- Features : Easy to clean and chemically resistant well.

C : Wall bracket with reducer

- Dimension : 216Lx135Wx134Hmm
- Material : Iron plate with white powder coated



Air volume controller



Wall Mounting(3 Inch)

Model : EAR-3WC1/C2-AL

A : 3-joint-extraction arm

- Pipe Diameter: 75mm
- Pipe material : Aluminum
- Reducer material : PP
- Feature :

There are three valves upon 3-joint- extraction arm, each one can easily adjusted the arm to the suitable position where harmful substances are present in dangerous concentrations.

Operation and maintenance of the arm is easy. It can be adjusted to a new position and dismantled for cleaning without the need of tools. Top of the pipe can be revolvable freely.

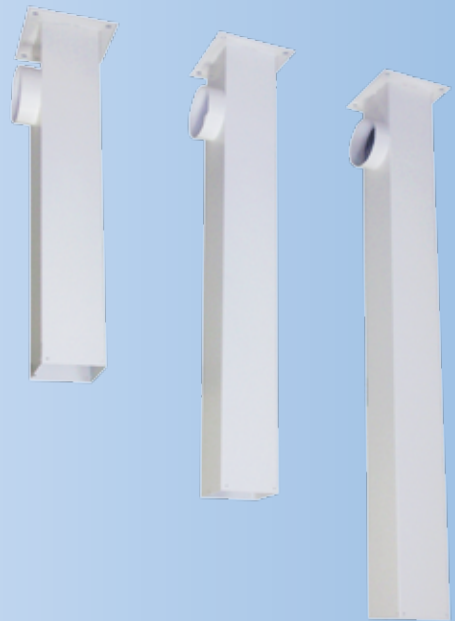
B : Hood

- Dimension : C1 Type:220mm dia./C2 Type:330mm dia.
- Hood material : Aluminum with special procession.
- Reducer material : PP
- Features : Easy to clean

C : Wall bracket with reducer

- Dimension : 210Lx135Wx134Hmm
- Material : Iron plate with white powder coated

Ceiling Mounting(2 Inch)



Ceiling Column

Ceiling Mounting(2 Inch)

Model : EAR-2R

A : 3-joint-extraction arm

- Pipe Diameter: 50mm
- Pipe material : PVC
- Reducer material : PP
- Feature :

There are three valves upon 3-joint-extraction arm, each one can easily adjusted the arm to the suitable position where harmful substances are present in dangerous concentrations.

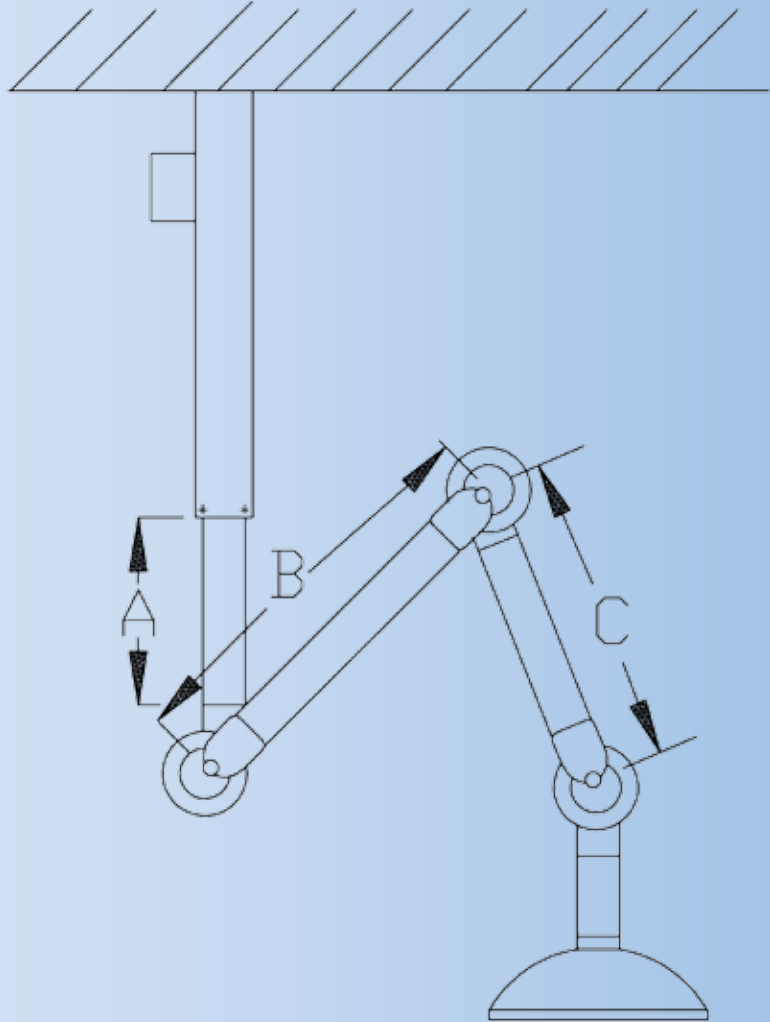
Operation and maintenance of the arm is easy. It can be adjusted to a new position and dismantled for cleaning without the need of tools. Top of the pipe can be revolvable freely.

B : Hood

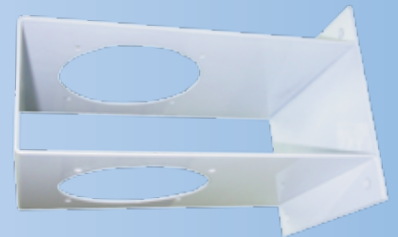
- Dimension : 220mm dia.
- Hood material : Polypropylene(PP)
- Reducer material : PP
- Features : Easy to clean and chemically resistant well.

C : Ceiling Column

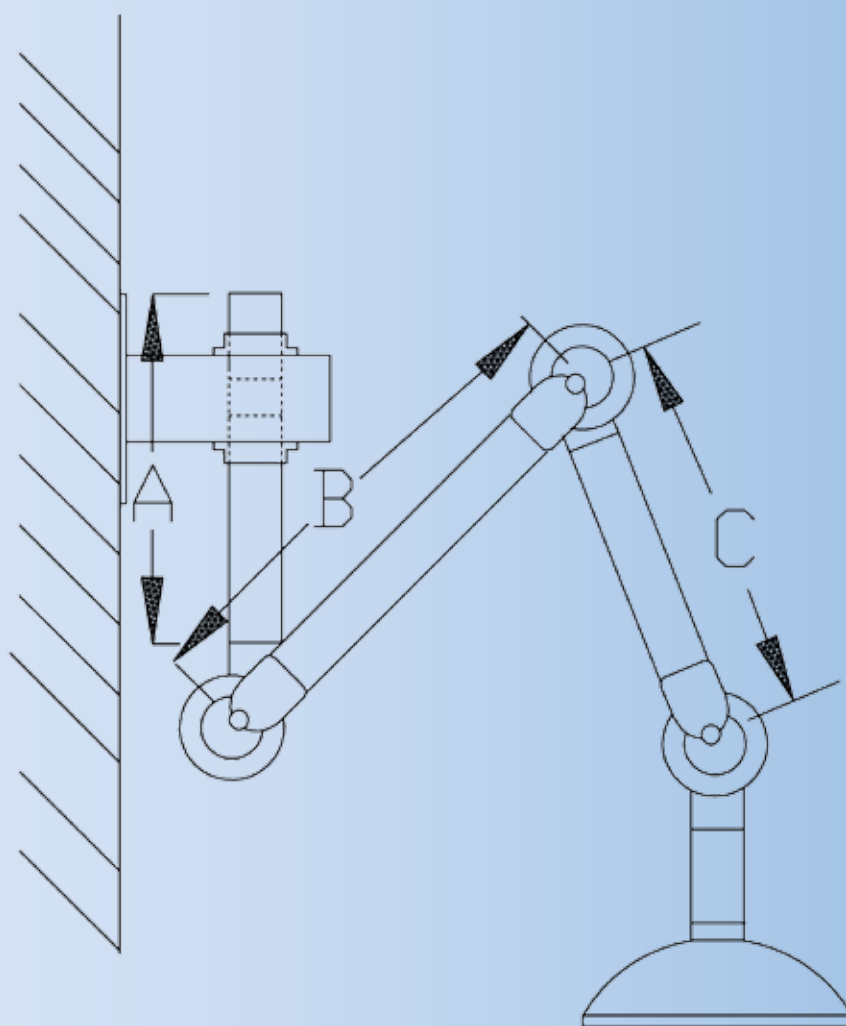
- Dimension : 75Wx75Dx750Hmm
75Wx75Dx1000Hmm
75Wx75Dx1250Hmm
- Material : Iron plate with white powder coated
- Features : Connection 3-joint-extraction arm and ceiling or other column closely. Easy to be disassembled. There is a coupling flange (ϕ 70mm) can be connected to other exhaust pipe or filter system.



Wall Mounting(2 Inch)



Wall Bracket



Wall Mounting(2 Inch)

Model : EAR-2W

A : 3-joint-extraction arm

- Pipe Diameter: 50mm
- Pipe material : PVC
- Reducer material : PP
- Feature :

There are three valves upon 3-joint- extraction arm, each one can easily adjusted the arm to the suitable position where harmful substances are present in dangerous concentrations.

Operation and maintenance of the arm is easy. It can be adjusted to a new position and dismantled for cleaning without the need of tools. Top of the pipe can be revolvable freely.

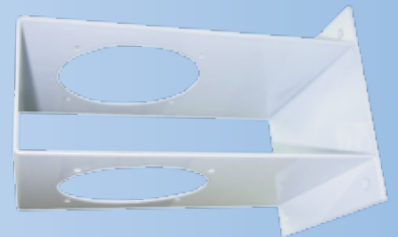
B : Hood

- Dimension : 220mm dia.
- Hood material : Polypropylene(PP)
- Reducer material : PP
- Features : Easy to clean and chemically resistant well.

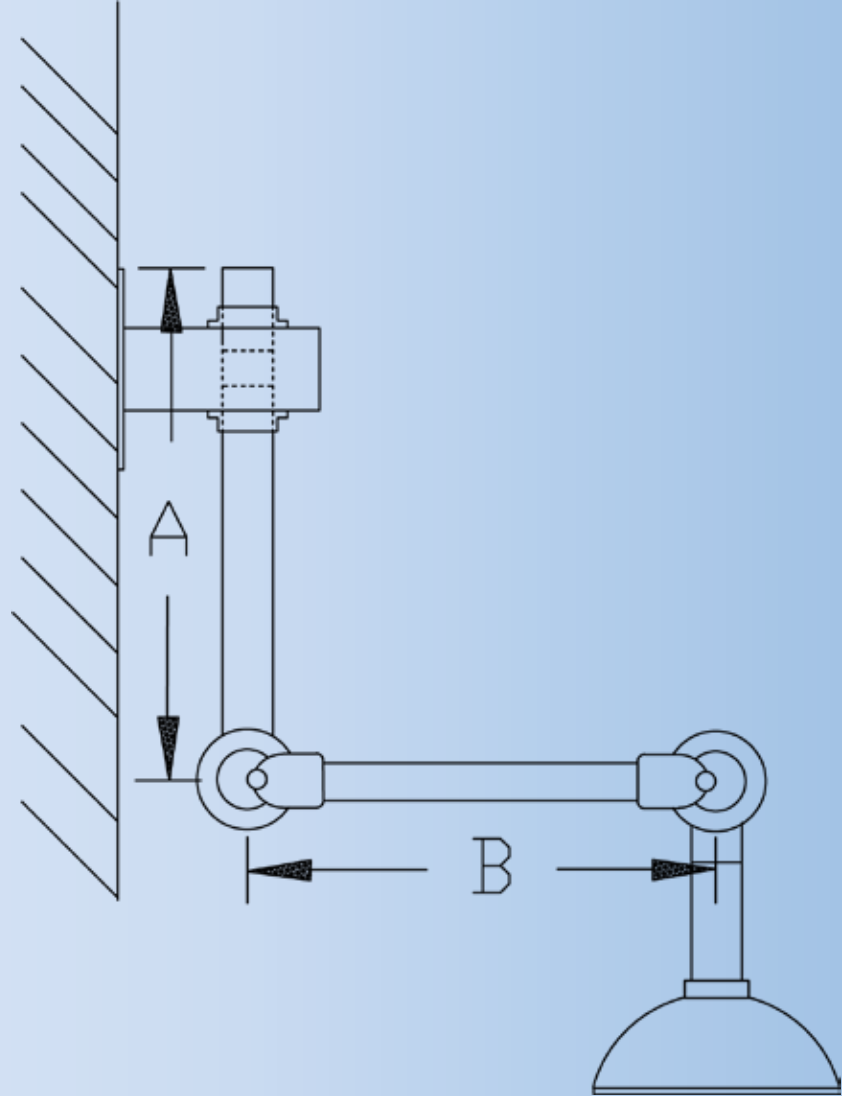
C : Wall bracket with reducer

- Dimension : 191Lx110Wx124Hmm
- Material : Iron plate with white powder coated

Wall Mounting(2 Inch)



Wall Bracket



Wall Mounting(2 Inch)

Model : EAR-2W(S)

A : 2-joint-extraction arm

- Pipe Diameter: 50mm
- Pipe material : PVC
- Reducer material : PP
- Feature :

There are two valves upon 2-joint-extraction arm, each one can easily adjusted the arm to the suitable position where harmful substances are present in dangerous concentrations.

Operation and maintenance of the arm is easy. It can be adjusted to a new position and dismantled for cleaning without the need of tools. Top of the pipe can be revolvable freely.

B : Hood

- Dimension : 220mm dia.
- Hood material : Polypropylene(PP)
- Reducer material : PP
- Features : Easy to clean and chemically resistant well.

C : Wall bracket with reducer

- Dimension : 191Lx110Wx124Hmm
- Material : Iron plate with white powder coated

Table Mounting(2 Inch)



Table Bracket

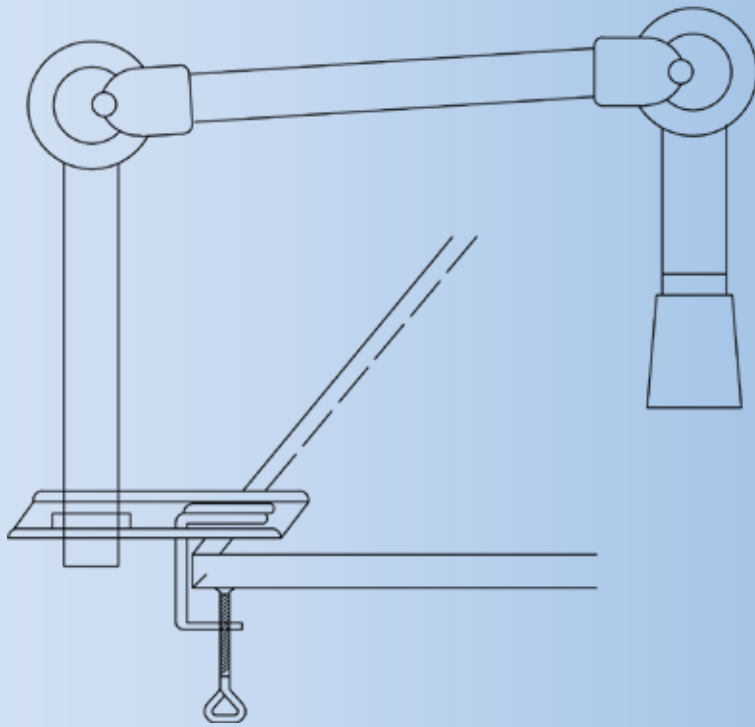


Table Mounting(2 Inch)

Model : EAR-2T(S)

A : 2-joint-extraction arm

- Pipe Diameter: 50mm
- Pipe material : Aluminum
- Reducer material : PP
- Feature :

There are two shafts upon 2-joint-extraction arms, each one can easily adjust the arm to close the source of pollution and to capture different gases dust avoiding their expansion in the room. Operation and maintenance of the arm is easy. It can be easily retracted when not in use. The base of the extraction pipe can be 180° rotation; there is also a valve close to the extraction hood to control the air flow by switching the knob.

B : Hood

- Dimension : 80mm dia.
- Hood material : Aluminum
- Features : Easy to clean and chemically resistant well.

C : Bracket

- Dimension : 185Lx115Wx10Hmm
- Material : Iron plate with white powder coated
- Table bracket : 63Wx15Dx84Hmm , including 2 winged screws.
- Features : Connection flexible hoses closely. Easy to be disassembled. There is a coupling flange (ϕ 2 inch) can be connected to other exhaust pipe or filter system.

Table Mounting(2 Inch)

Model : EAR-2T

A : 3-joint-extraction arm

- Pipe Diameter: 50mm
- Pipe material : Aluminum
- Reducer material : PP
- Feature :

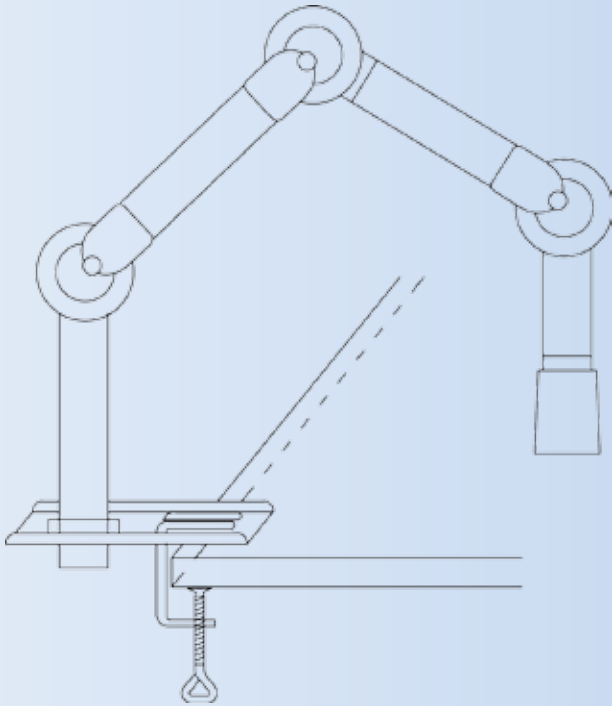
There are three shafts upon 3-joint-extraction arms, each one can easily adjust the arm to close the source of pollution and to capture different gases dust avoiding their expansion in the room. Operation and maintenance of the arm is easy. It can be easily retracted when not in use. The base of the extraction pipe can be 360° rotation; there is also a valve close to the extraction hood to control the air flow by switching the knob.

B : Hood









- Dimension : 80mm dia.
- Hood material : Aluminum
- Features : Easy to clean and chemically resistant well.

C : Bracket

- Dimension : 185Lx115Wx10Hmm
- Material : Iron plate with white powder coated
- Table bracket : 63Wx15Dx84Hmm , including 2 winged screws.
- Features : Connection flexible hoses closely.Easy to be disassembled.There is a coupling flange (ϕ 2 inch) can be connected to other exhaust pipe or filter system.



Accessories List : EXTRACTION ARM SYSTEM 50

No.	Item/Model	Specification(Unit : mm)	Picture
1.	Ceiling Column EAR-2R1/R2/R3	R1 75(W)x75(D)x750(H)	
		R2 75(W)x75(D)x1000(H)	
		R3 75(W)x75(D)x1250(H)	
2.	Wall Bracket EAR-2W1	191(L)x110(W)x124(H)	
3.	Table Bracket EAR-2T1	185(L)x115(W)x10(H)	
4.	Hood EAR-201	φ 220x95/115(H)	
5.	Aluminum Hood EAR-202	φ 80/70x70/80(H)	
6.	Aluminum Hood EAR-203	φ 220	
7.	Protective Sieve EAR-204	φ 55/40x22(H)	
8.	Slot Hood 220 EAR-205	φ 250x15(H)	

ENSHINE EXTRACTION ARM SYSTEM 50

Model	Effective Range(cm)	Arm's Length(cm)	Hood
Wall-mounted EAR-2W	120	30-30-30	PP Material A TYPE: φ 220x95/115(H)mm Aluminum Material B TYPE: φ 80/70x70/80(H)mm C TYPE: φ 220mm
	150	30-40-40	
	180	30-50-50	
Ceiling-mounted EAR-2R	120	30-30-30	
	150	30-40-40	
	180	30-50-50	
Table-mounted EAR-2T	120	30-30-30	
	150	30-40-40	
	180	30-50-50	

Order Index :

EAR-2-^①

W	②
A	⑤

 (30-30-30)
^③

R	③
B	⑥

-AL^⑧(30-40-40)
^④

T	④
C	⑦

(30-50-50)^⑨

①: 2 inch tube size

②: Wall mounting type

③: Ceiling mounting type

④: Table mounting type

⑤: A type hood

⑥: B type hood

⑦: C type hood

⑧: Aluminum tube system

⑨: Arm tube length

Example :

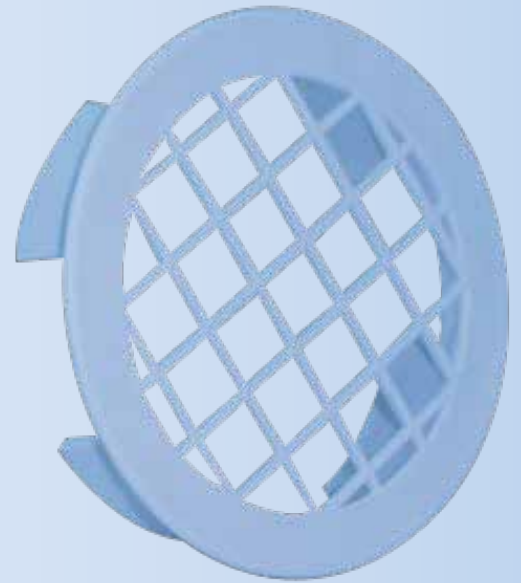
Table mounting model
with B type hood and
aluminum arm length is
30 cm.

This model named :

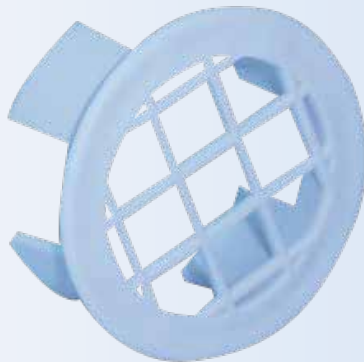
EAR-2TB-AL(30-30-30)



System 100 Sieve



System 75 Sieve



System 50 Sieve

We provide a series of protective sieve for extraction arm. It is available in system 50, system 75 and system 100. The protective sieve will prevent inadvertent extraction of foreign objects that might block the ventilation system. The protective sieve is to be placed in the stub pipe of the hood. The protective sieve for extraction arms are made of white polypropylene (pp).

These slot hoods are designed for improving the efficiency of the extraction arm system. These slot hoods will increase the air speed in the hood opened mouth and improve the efficiency of the extraction process. The slot hood is easy to be mounted and dispersed to extraction arm. The slot hood will increase about 0.8~1 time of air speed in opened mouth area.



Squarish Slot Hood 390
EAR-407
EAR-307



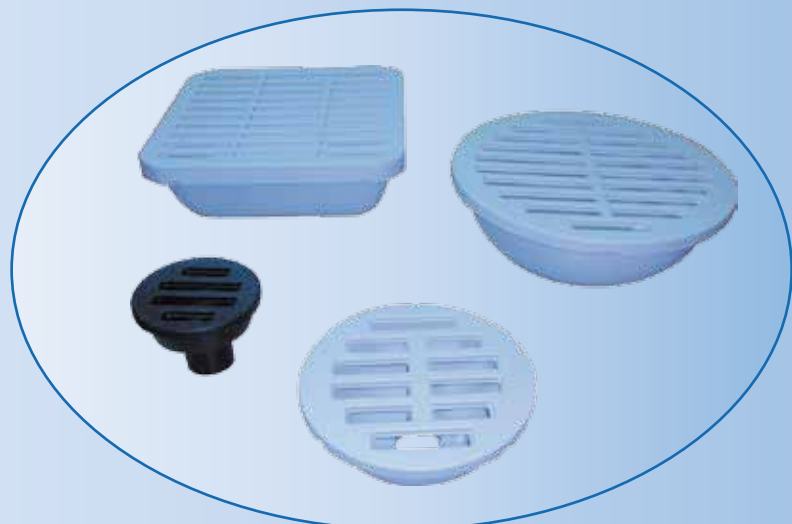
Circular Slot Hood 390
EAR-306



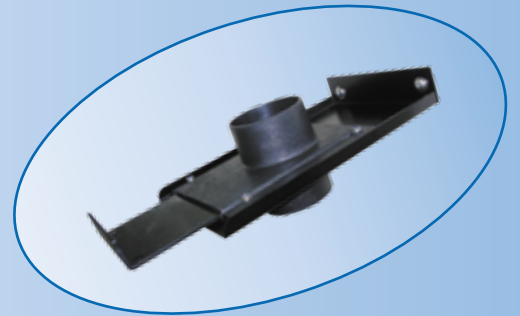
Slot Hood 220
EAR-205



Slot Hood 150
EAR-201



Model : EAW-2



Wall Bracket



Model : EAT-2

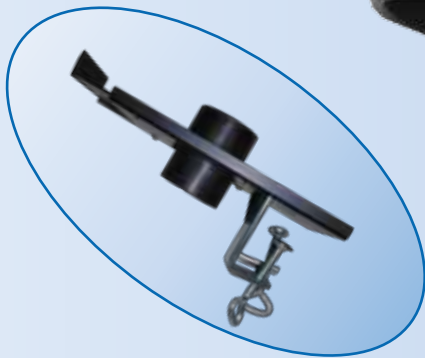
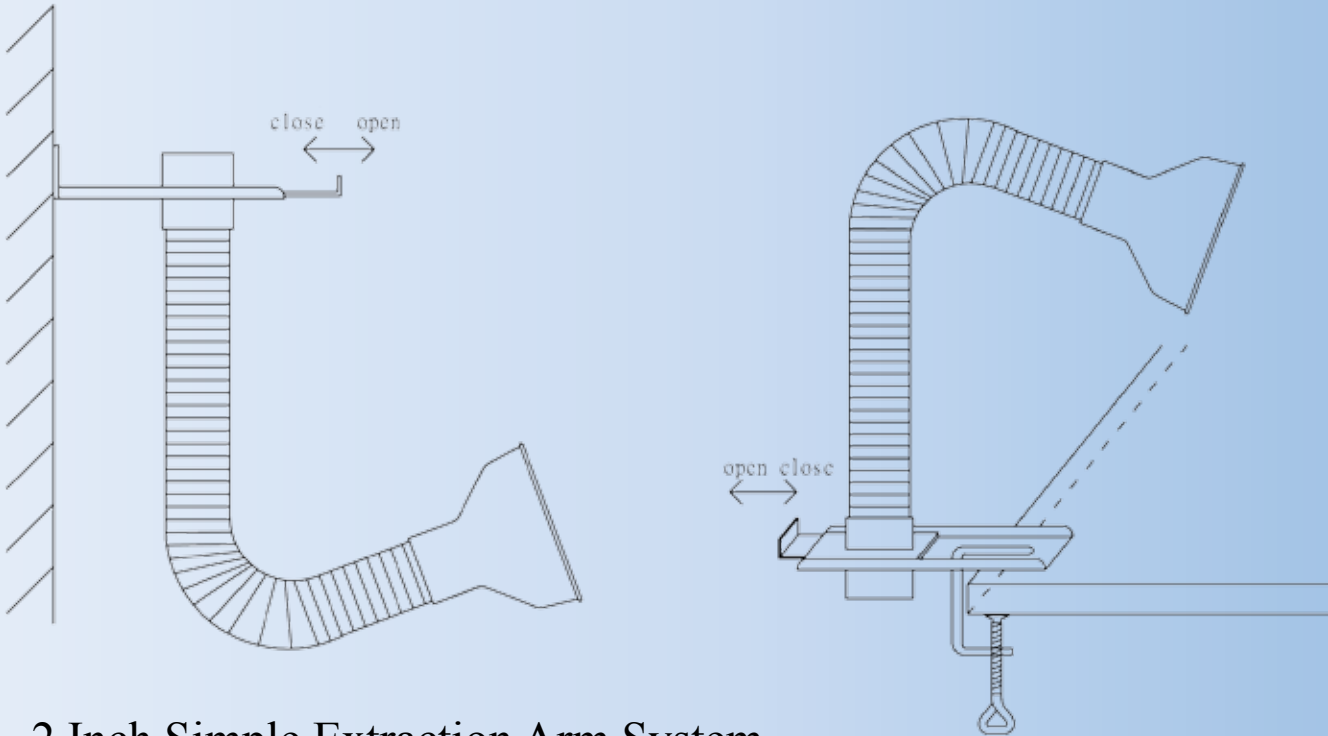


Table bracket with valve



2 Inch Simple Extraction Arm System

Model : EAW-2/EAT-2

A : Flexible Hoses

- Pipe Diameter: 50mm
- Pipe material : PVC
- Reducer material : Black ABS material
- Feature :

Flexible hoses adjusted the arm to the suitable position where harmful substances are present in dangerous concentrations.

Operation and maintenance of the arm is easy. It can be adjusted to a new position and dismantled for cleaning without the need of tools. Top of the pipe can be revolvable freely.

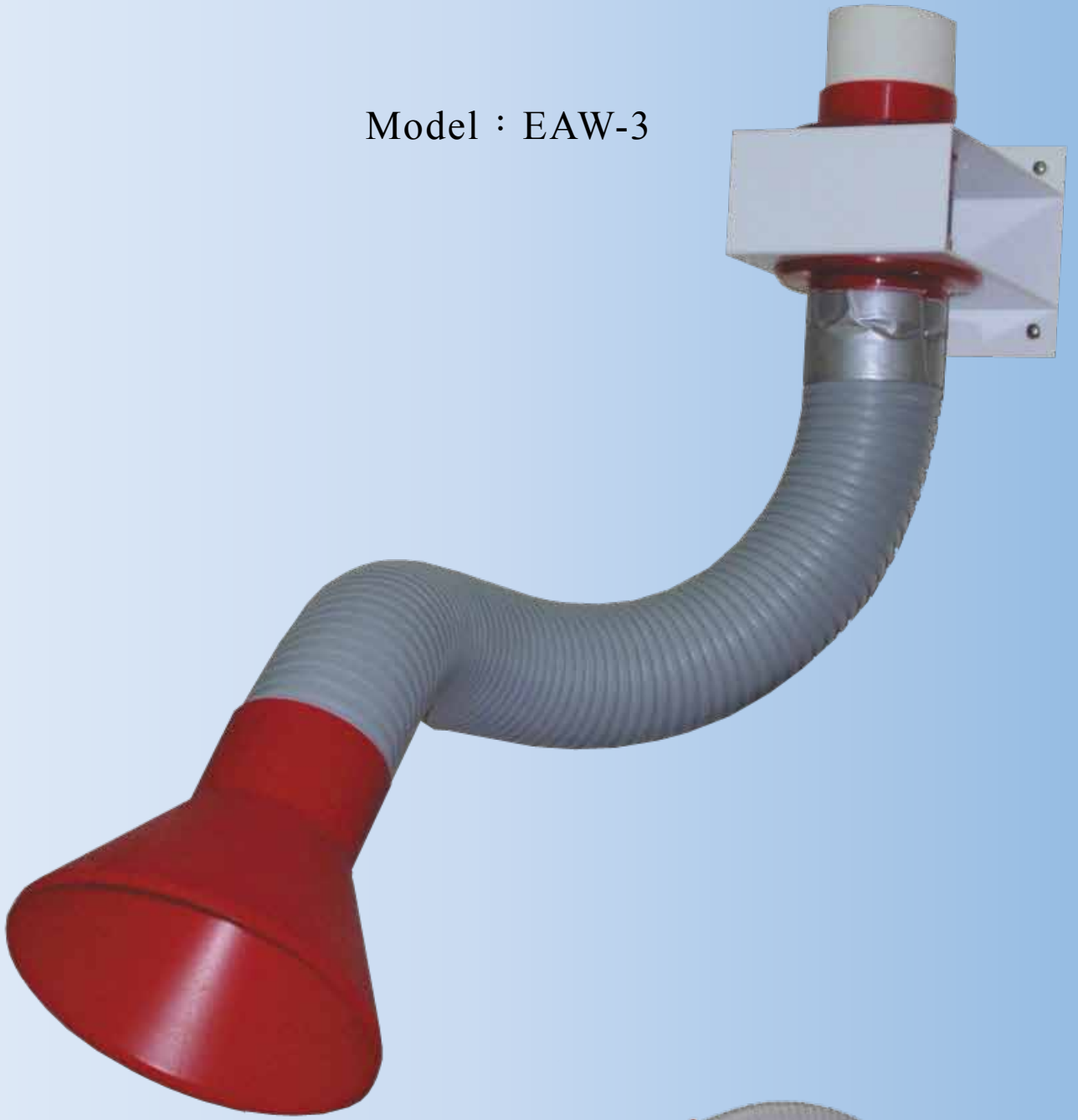
B : Hood

- Dimension : 150mm dia.
- Hood material : Aluminum with anodised process
- Features : Easy to clean

C : Bracket

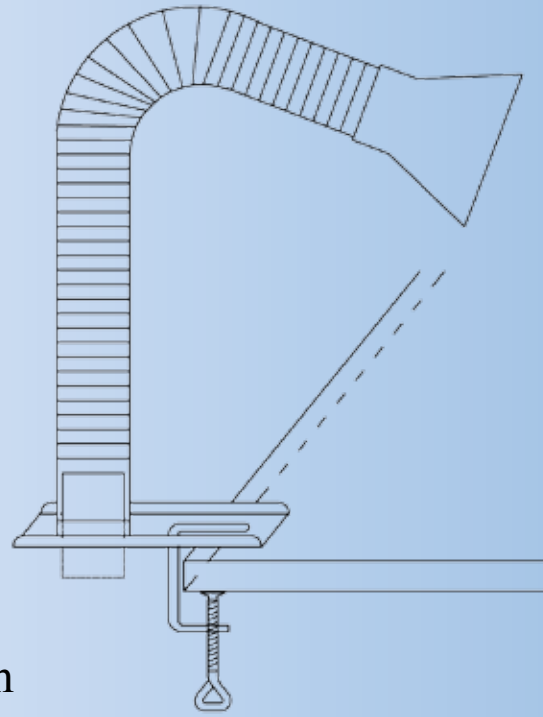
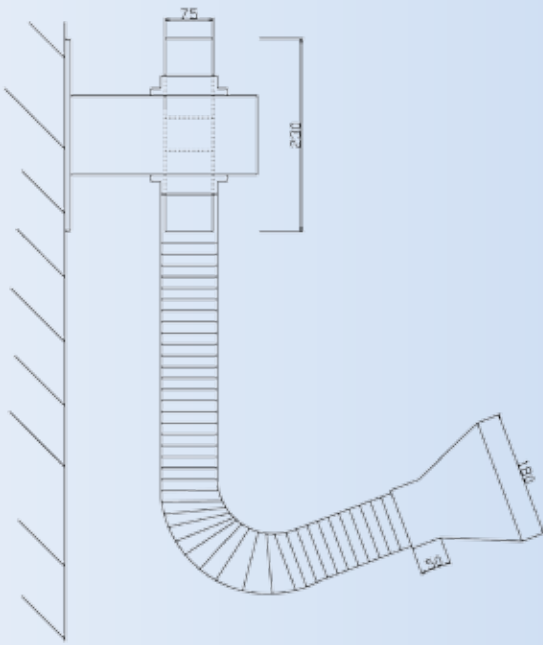
- Dimension : Wall-Mounting: 212Lx134Wx32Hmm
Table-Mounting : 225Lx134Wx10Hmm
- Material : Aluminum with anodised process
- Vent dimension : 2½"
- Valve : The valve built-in to the bracket, it can control the air volume.
- Table bracket : 63Wx15Dx84Hmm , including 2 winged screws.
- Features : Connection flexible hoses closely. Easy to be disassembled.
There is a coupling flange can be connected to other exhaust pipe or filter system.

Model : EAW-3



Model : EAT-3





3 Inch Simple Extraction Arm System

Model : EAW-3/EAT-3

A : Flexible Hoses

- Pipe Diameter: 75mm
- Pipe material : PVC
- Reducer material : PP
- Feature :

Flexible hoses adjusted the arm to the suitable position where harmful substances are present in dangerous concentrations. Operation and maintenance of the arm is easy. It can be adjusted to a new position and dismantled for cleaning without the need of tools. Top of the pipe can be revolvable freely.

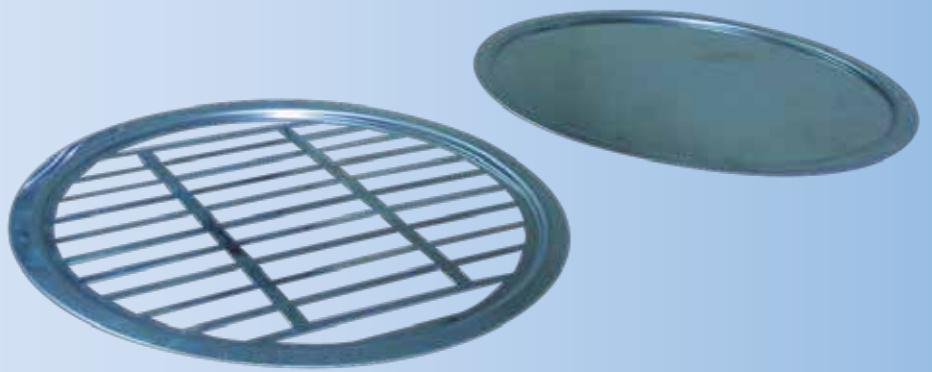
B : Hood

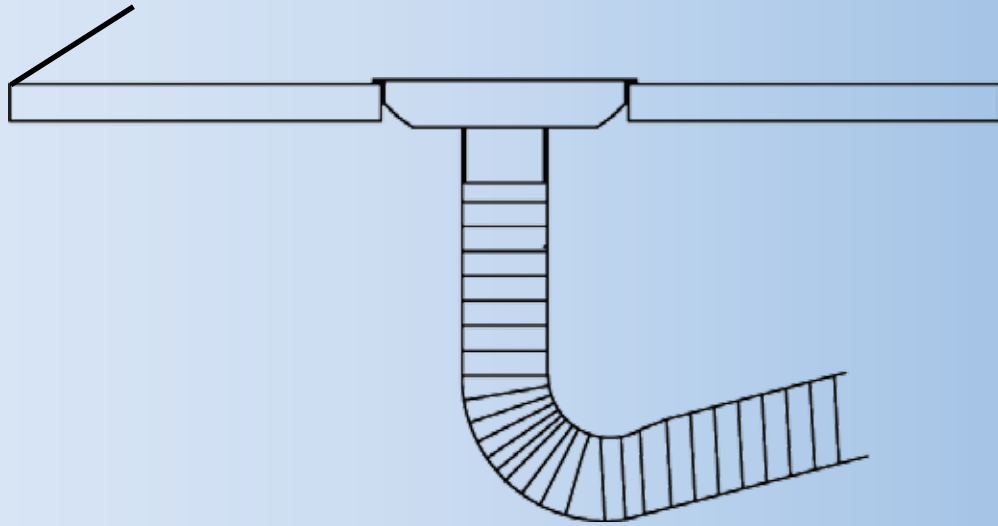
- Dimension : 180mm dia.
- Hood material : PP
- Features : Easy to clean and chemically resistant well.

C : Bracket

- Dimension : Wall-Mounting: 210Lx135Wx134Hmm
Table-Mounting : 210Lx135Wx10Hmm
- Material : Iron plate with white powder coated
- Table bracket : 63Wx15Dx84Hmm , including 2 winged screws.
- Features : Connection flexible hoses closely. Easy to be disassembled.
There is a coupling flange can be connected to other exhaust pipe or filter system.

Bench Top Extraction Hood





This extraction hood is designed to be mounted on the bench. It is highly flexible and simple to position, extend and retract. The hoods are connected to a vacuum and filter system removing the contaminants from extracted air so that it can be returned to the atmosphere or recycled without negative effects.

Features :

A. Hood Body

1. Overall dimension : ϕ 213 mm
2. Hood material : sus304# stainless material
3. Connected tube size : 2½"
4. Protective sieve :

There is a protective sieve in the hood.

This sieve is made of sus304# stainless material.

It is easy to position and disperse.

5. Mounted hole size : ϕ 220 mm

B. Slot Plate

1. Overall dimension : ϕ 213 mm
2. Material : sus304# stainless material
3. Slot range : ϕ 180 mm
4. Slot depth : 10 mm

C. Cover

1. Overall dimension : ϕ 213 mm
2. Material : sus304# stainless material

Type	Phase	Frequency	Power	Voltage	Current	Pressure(max)	Air Flow(max)	Out	Weight
		Hz	KW	V	A	mm H ₂ O	m ³ /min	Let	Kgs
EFMS-202	1 φ	50/60	0.2	220	2/1.2	60/80	8/10	4"	10
EFMS-405	1 φ	50/60	0.4	220	2.5/1.8	60/85	15/17	5"	13

EFMS-202/405



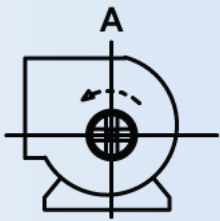
YB-1



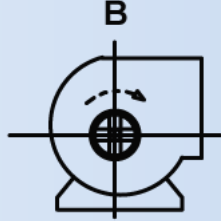
YB-5

Model	HP	Max. Flow CMM	Static Pressure mmAq	Standard Function CMM*mmAq	Inlet φ	Outlet mm	Base mm
YB-½	½	23	50	15*30	6	160*160	300*450
YB-1	1	45	75	20*60	8	200*200	320*520
YB-2	2	75	82	50*70	10	200*250	320*570
YB-3	3	95	95	62*80	12	250*300	400*600
YB-5	5	120	120	100*80	14	250*300	440*660

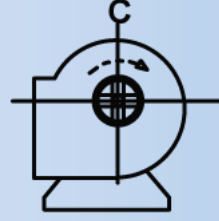
✧Directions :



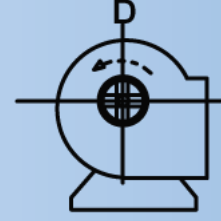
Left 180°



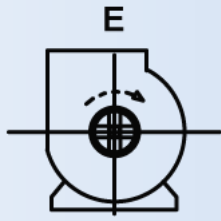
Right 180°



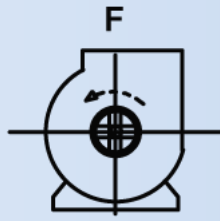
Right 0°



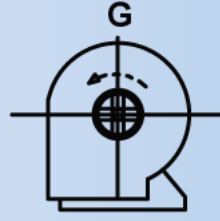
Left 0°



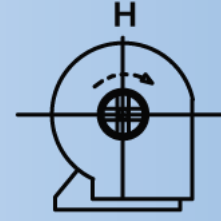
Right 90°



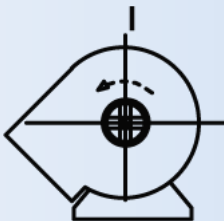
Left 90°



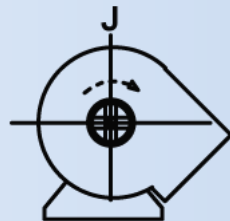
Left 270°



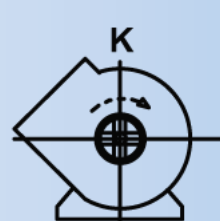
Right 270°



Left 225°



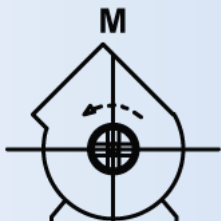
Right 225°



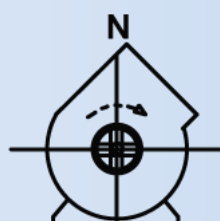
Right 45°



Left 45°



Left 135°



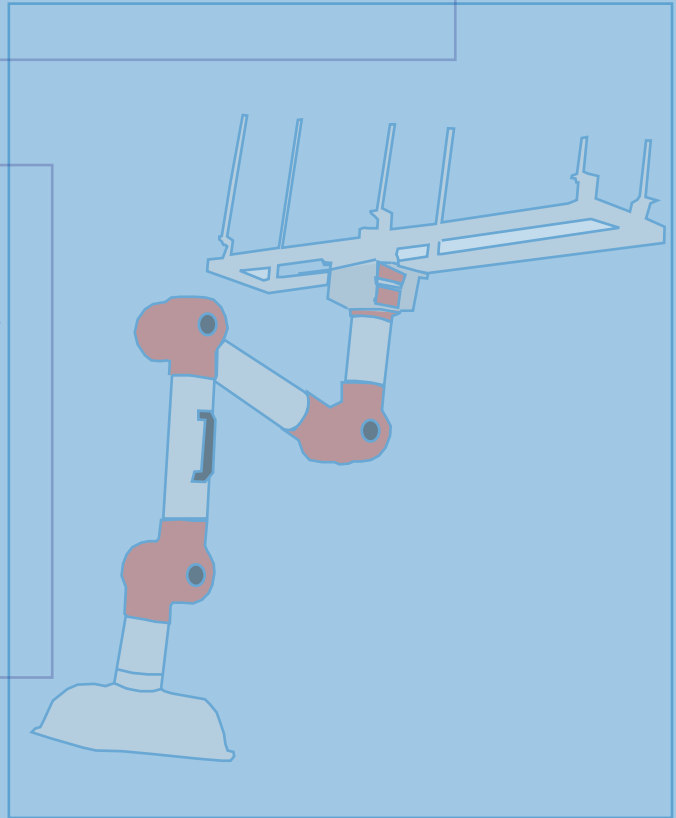
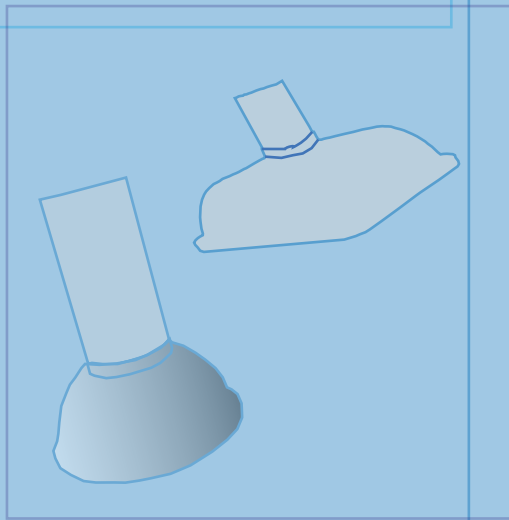
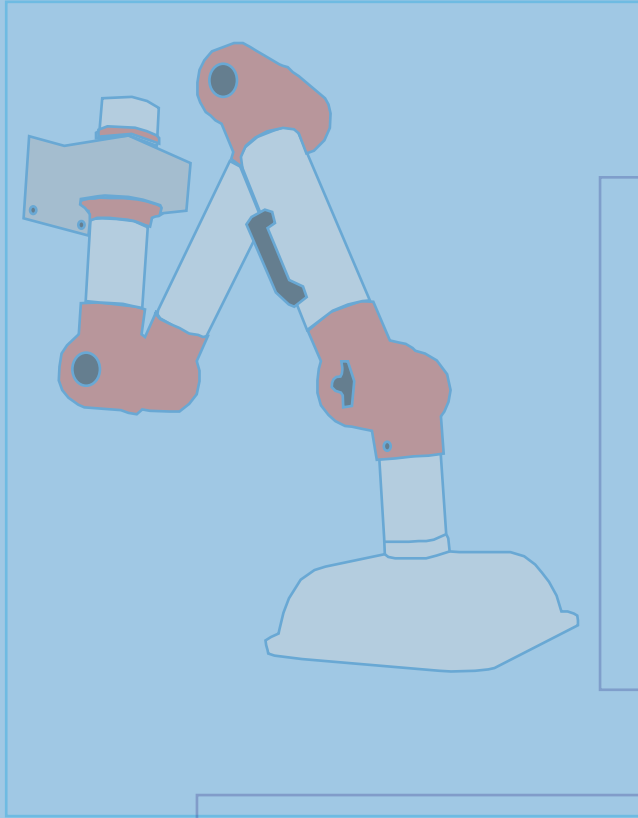
Right 135°



Right 315°



Left 315°



Distributor

A large empty rounded rectangular box for entering distributor information.